

**eduard**

**1/48**



# Hind D

**INSTRUCTION SHEET**

**LIMITED EDITION**

11150-NAV1



ATTENTION



UPOZORNĚNÍ



ACHTUNG



ATTENTION



注意



Carefully read instruction sheet before assembling. When you use glue or paint, do not use near open flame and use in well ventilated room. Keep out of reach of small children. Children must not be allowed to suck any part, or pull vinyl bag over the head.



Před započítím stavby si pečlivě prostudujte stavební návod. Při používání barev a lepidel pracujte v dobře větrané místnosti. Lepidla ani barvy nepoužívejte v blízkosti otevřeného ohně. Model není určen malým dětem, mohlo by dojít k požití drobných dílů.

INSTRUCTION SIGNS \* INSTR. SYMBOLS \* INSTRUKTION SINNBILDEN \* SYMBOLES \* 記号の説明

OPTIONAL  
VOLBABEND  
OHNOUTSAND  
BROUSITOPEN HOLE  
VYVRTAT OTVORSYMETRICAL ASSEMBLY  
SYMETRICKÁ MONTÁŽREMOVE  
ODRÍZNOUTREVERSE SIDE  
OTOČITAPPLY EDUARD MASK  
AND PAINT  
POUŽIT EDUARD MASK  
NABARVIT

PARTS



DÍLY



TEILE

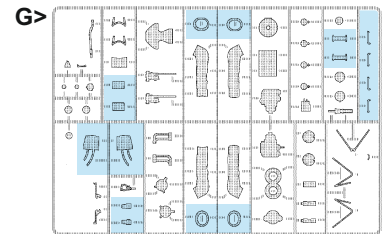
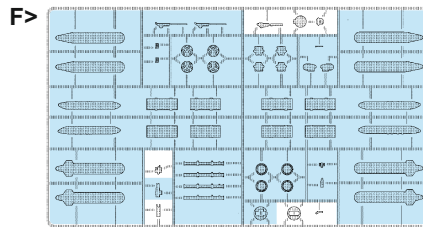
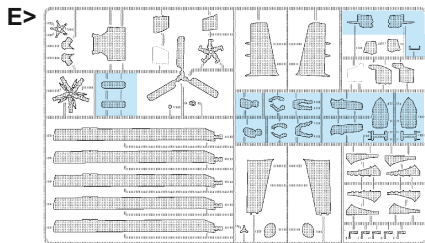
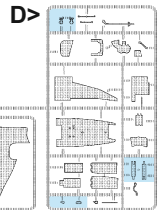
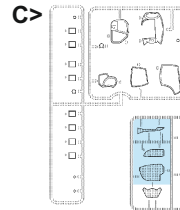
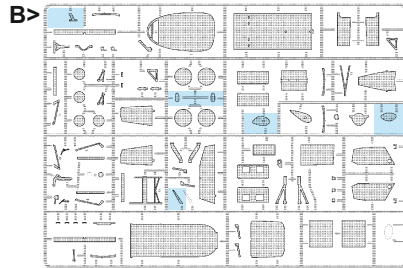
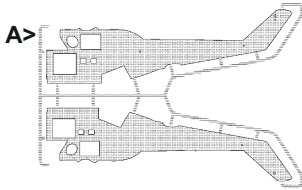


PIÈCES



部品

## PLASTIC PARTS



## RP - RESIN PARTS



R12 4pcs.



R13 2pcs.



R14



R15



R16



R17



R18



R19



R20



R21



R22



R23

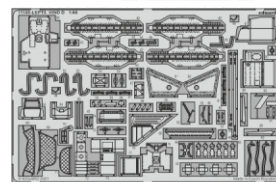
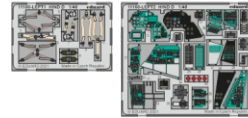


R24



R25

## PE - PHOTO ETCHED DETAIL PARTS



## FILM



-Parts not for use. -Teile werden nicht verwendet. -Pièces à ne pas utiliser. -Tyto díly nepoužívejte při stavbě. - 使用しない部品

COLOURS



BARVY



FARBEN



PEINTURE

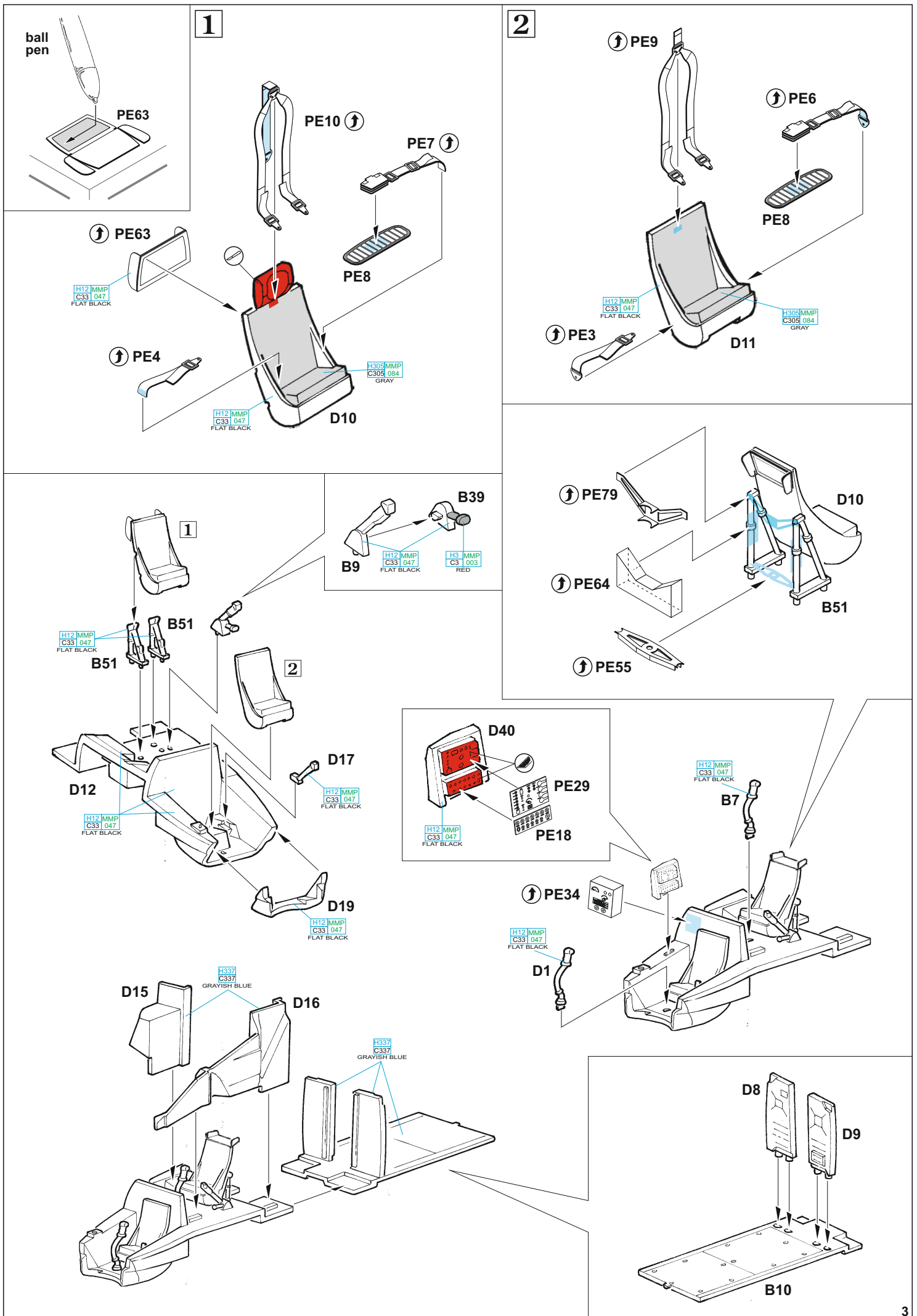


色

GSI Creos (GUNZE)		MISSION MODELS	
AQUEOUS	Mr.COLOR	PAINTS	
H2	C2	MMP-047	BLACK
H3	C3	MMP-003	RED
H4	C4	MMP-007	YELLOW
H6	C6	MMP-004	GREEN
H8	C8		SILVER
H11	C62	MMP-001	FLAT WHITE
H12	C33	MMP-047	FLAT BLACK
H15	C65		BRIGHT BLUE
H18	C28		STEEL
H24	C58		ORANGE YELLOW
H27	C44		TAN
H37	C43		WOOD BROWN
H47	C41	MMP-012	RED BROWN
H48	C52		FIELD GRAY
H53	C13		NEUTRAL GRAY
H58	C351	MMP-059	INTERIOR GREEN
H61	C35		GRAY
H67	C115	MMP-057	LIGHT BLUE
H76	C61	MMM-001	BURNT IRON
H77	C137	MMP-040	TIRE BLACK
H84	C42		MAHOGANY
H90	C47		CLEAR RED
H94	C138		CLEAR GREEN
H302	C302		GREEN
H303	C303	MMP-066	GREEN

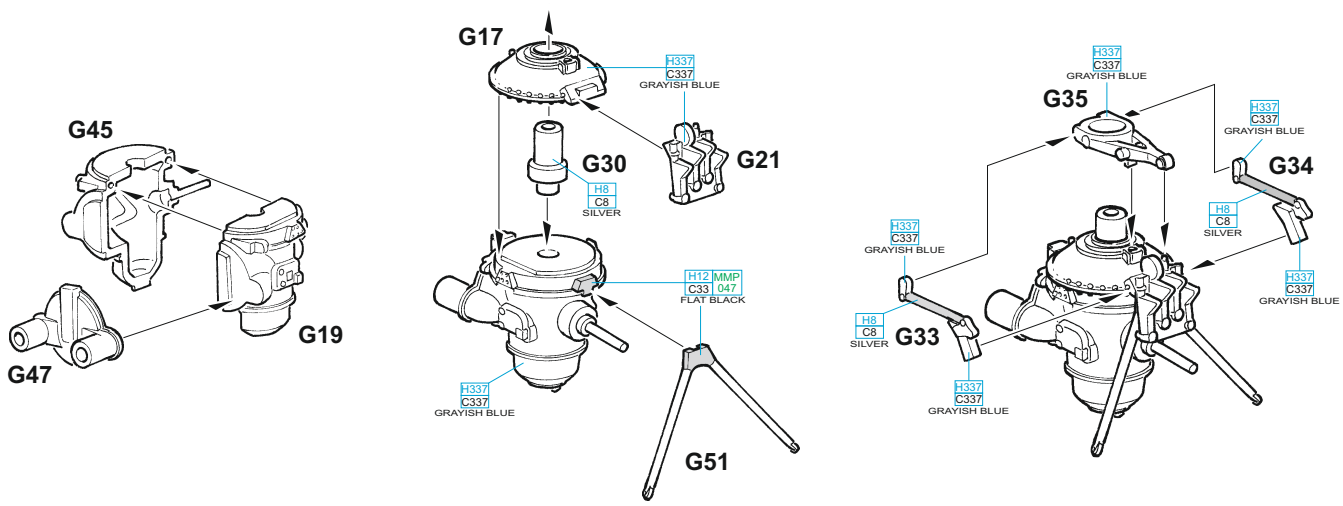
GSI Creos (GUNZE)		MISSION MODELS	
AQUEOUS	Mr.COLOR	PAINTS	
H305	C305	MMP-084	GRAY
H306	C306	MMP-118	MEDIUM GRAY
H307	C307	MMP-074	GRAY
H308	C308	MMP-073	GRAY
H310	C310	MMP-060	BROWN
H313	C313		YELLOW
H323	C323	MMP-092	LIGHT BLUE
H327	C327	MMP-101	RED
H334	C334	MMP-102	BARLEY GRAY
H335	C363	MMP-094	MEDIUM SEAGRAY
H337	C337		GRAYISH BLUE
H340	C340		FIELD GREEN
H417	C117	MMP-051	LIGHT BLUE
H422	C122	MMP-053	LIGHT GREEN
	C74		BLUE
	C97		LIGHT GRAY
	C128		GRAY GREEN
	C135		RUSSIAN GREEN
	C136	MMP-032	RUSSIAN GREEN
	C362	MMP-093	OCEAN GRAY
	C528		IDF GRAY 1
	C529		IDF GRAY 2
Mr.METAL COLOR		METALLICS	
	MC218	MMM-003	ALUMINIUM
	MC219	MMM-009	BRASS





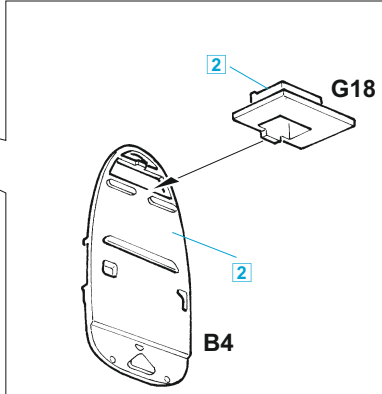
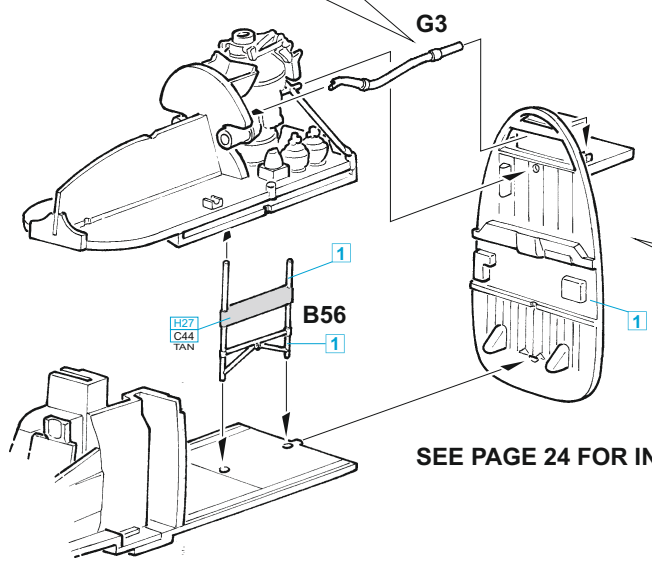
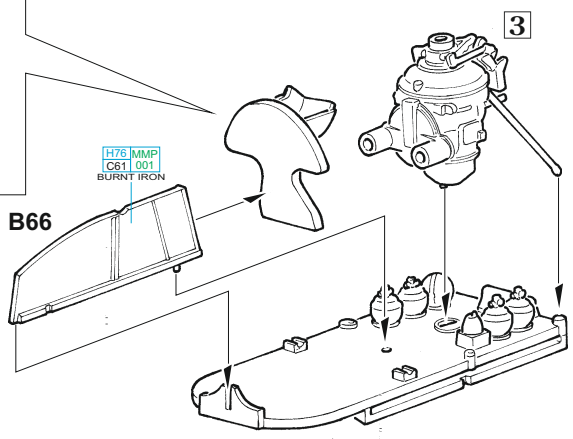
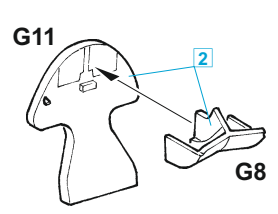
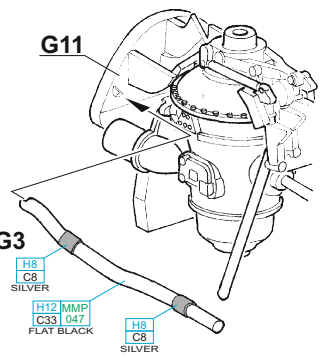
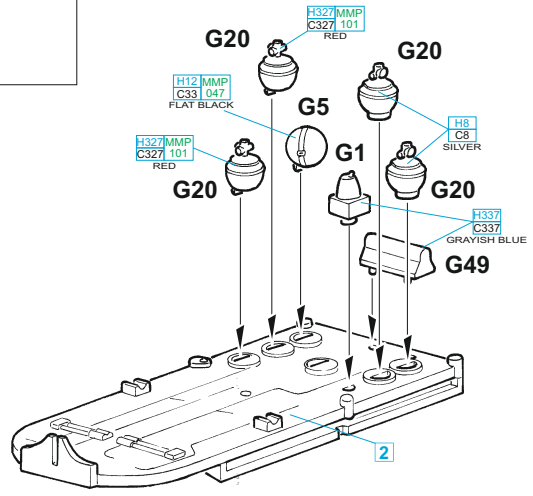
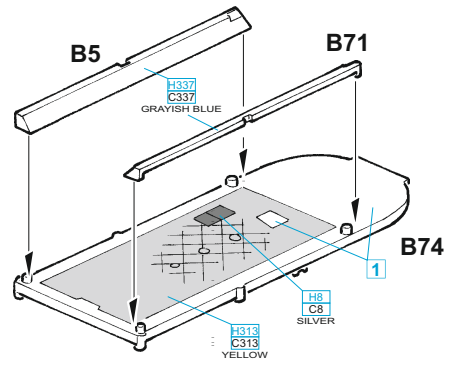


3



**1** =   
 H61 C95 GRAY - MARKING **H**  
 H334 C334 BARLEYGRAY - MARKINGS **A;B;C;D;F**  
 H417 MMP C117 051 LIGHT BLUE - MARKINGS **E;G**

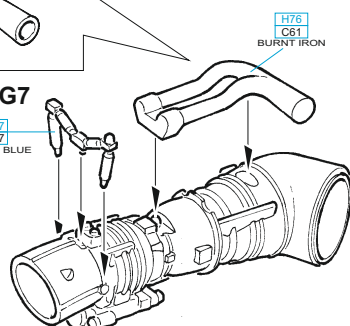
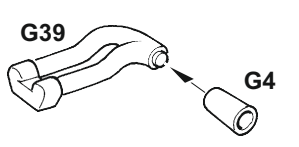
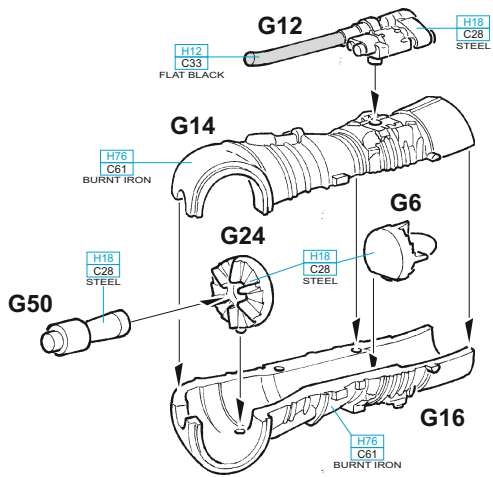
**2** =   
 H61 C95 GRAY - MARKING **H**  
 H334 C334 BARLEYGRAY - MARKINGS **A;B;D;F**  
 H417 MMP C117 051 LIGHT BLUE - MARKING **G**  
 C74 AIR BLUE - MARKINGS **C;E**



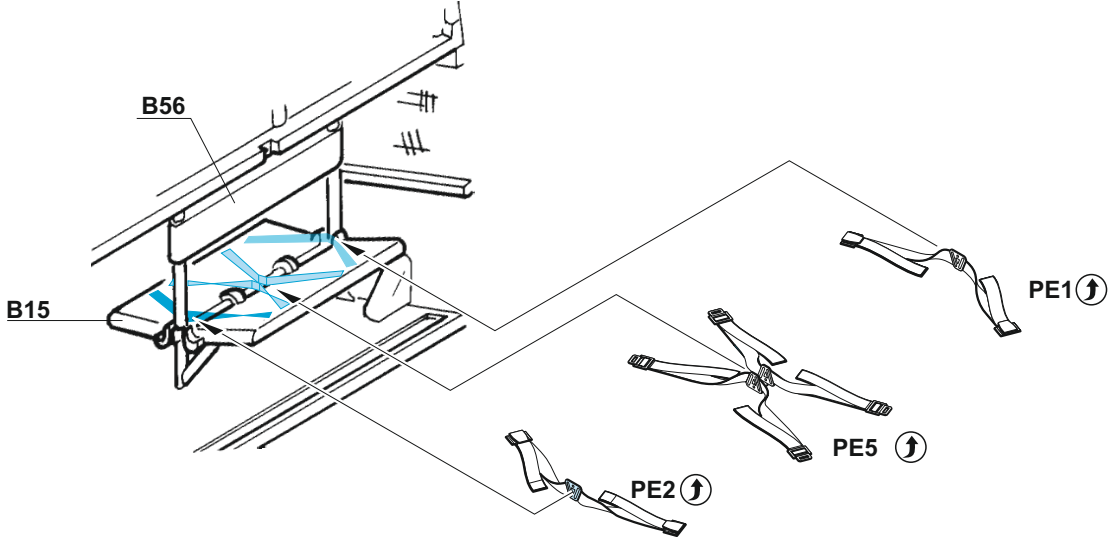
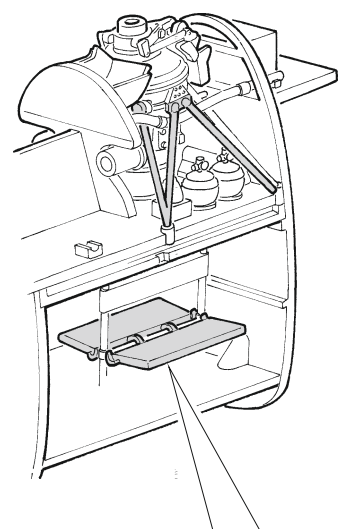
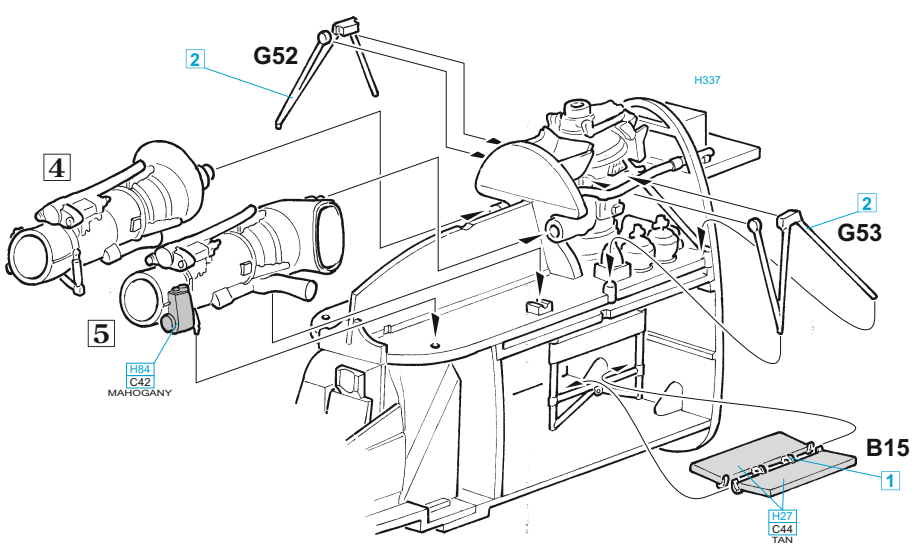
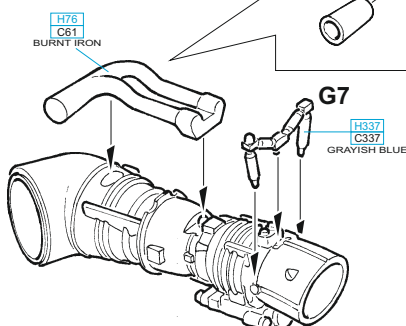
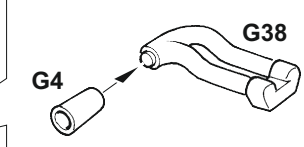
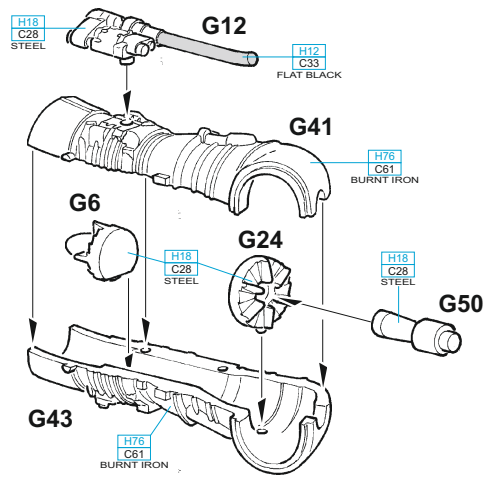
SEE PAGE 24 FOR INNER STENCILING



4

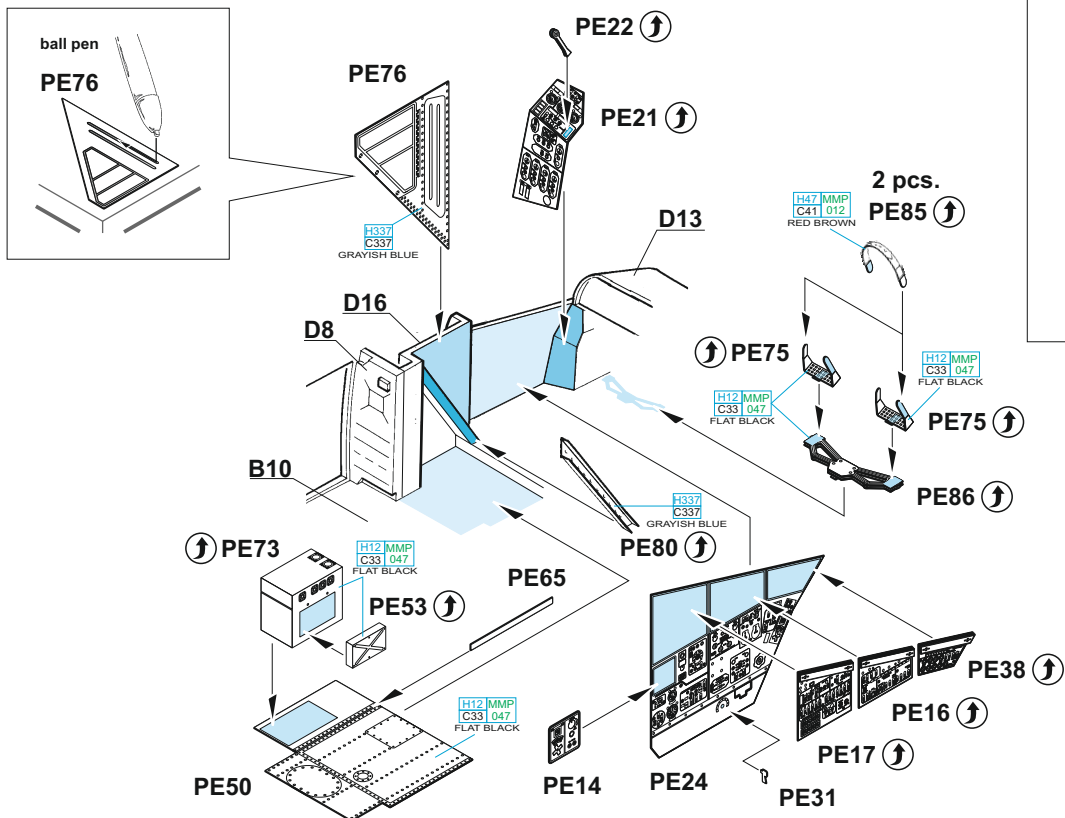
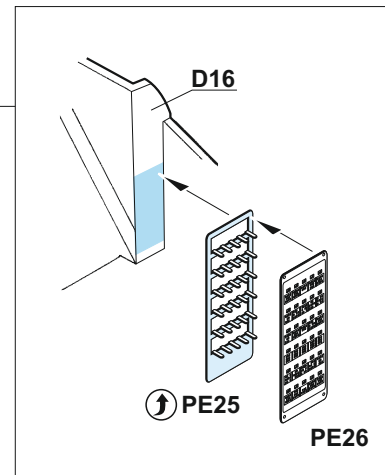
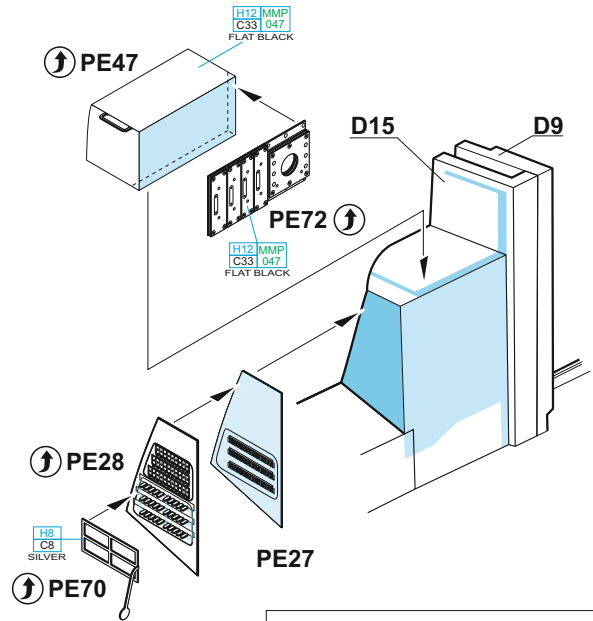
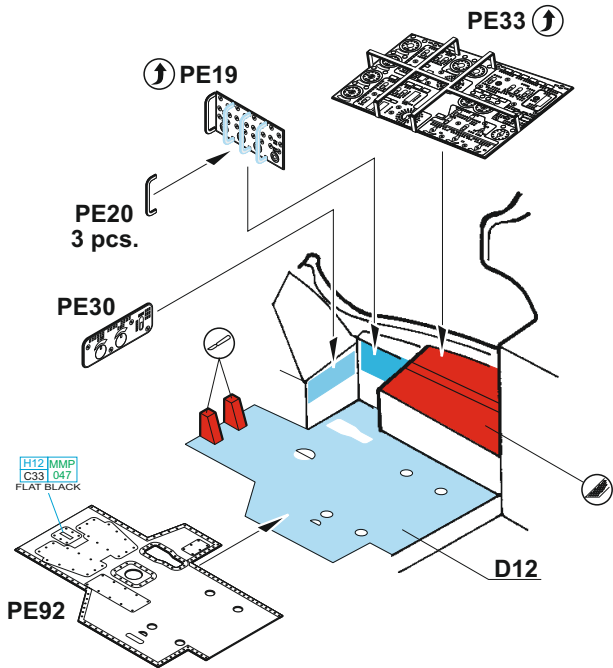
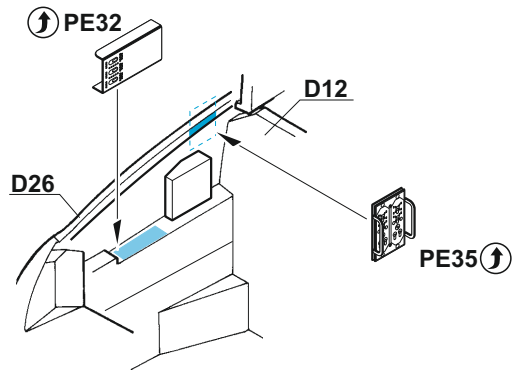
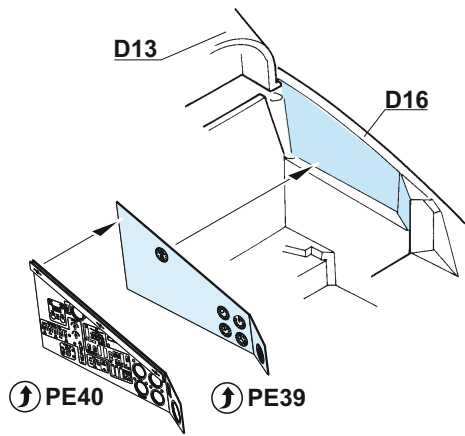


5

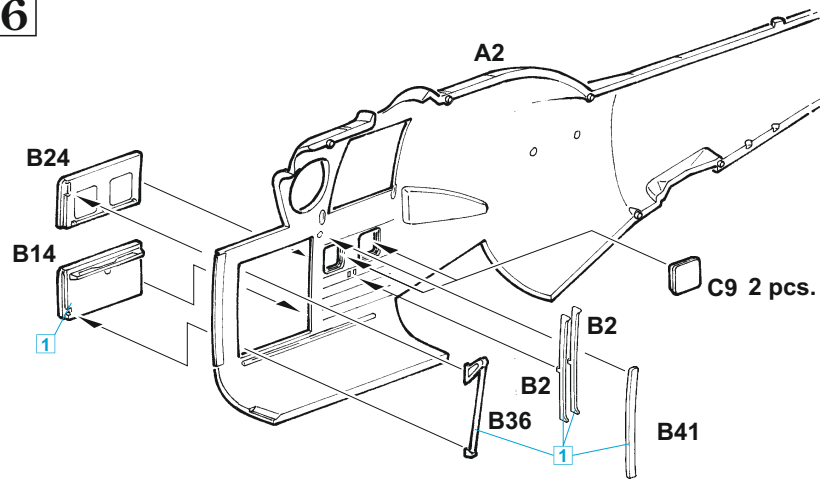
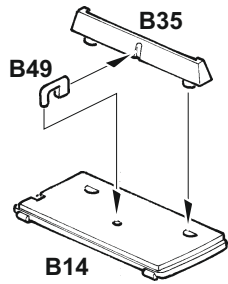
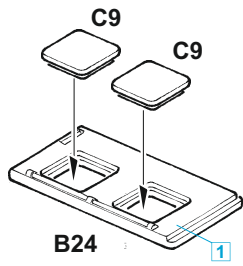


6



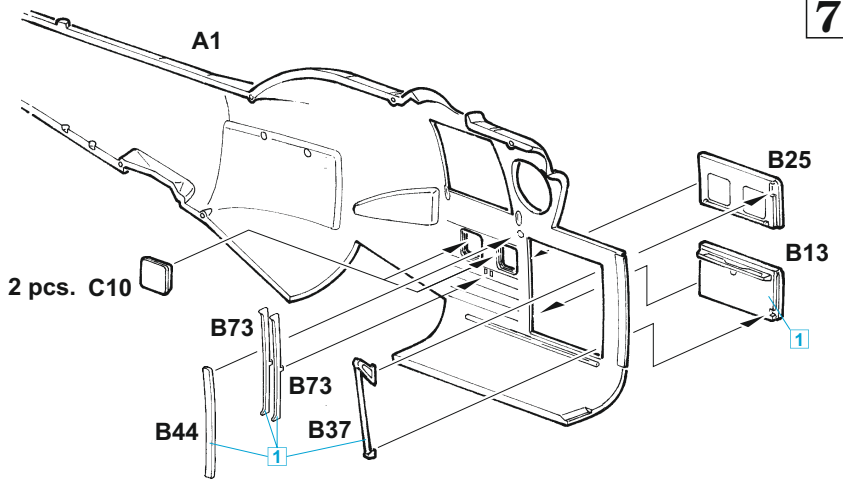
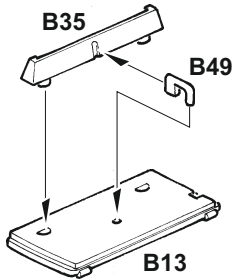
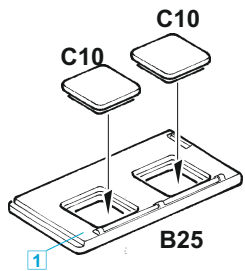


6

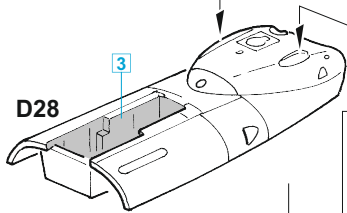
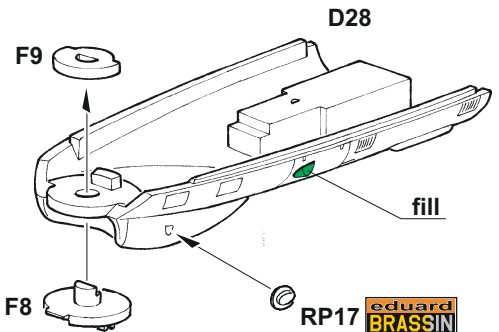
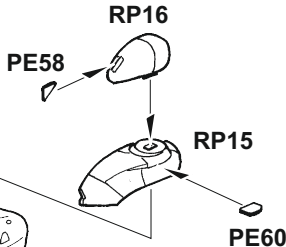
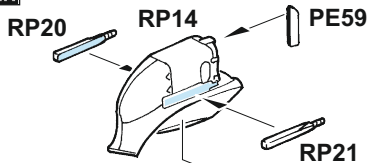


SEE PAGE 24 FOR INNER STENCILING

7

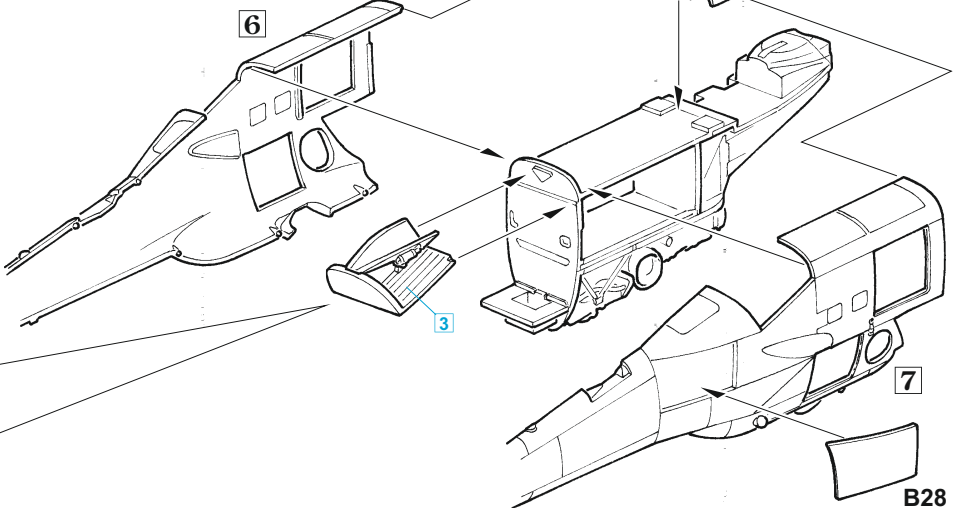
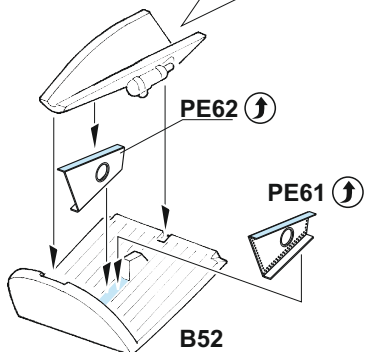
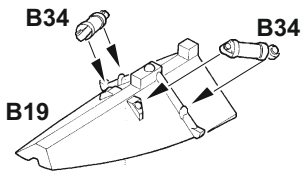


eduard BRASSIN

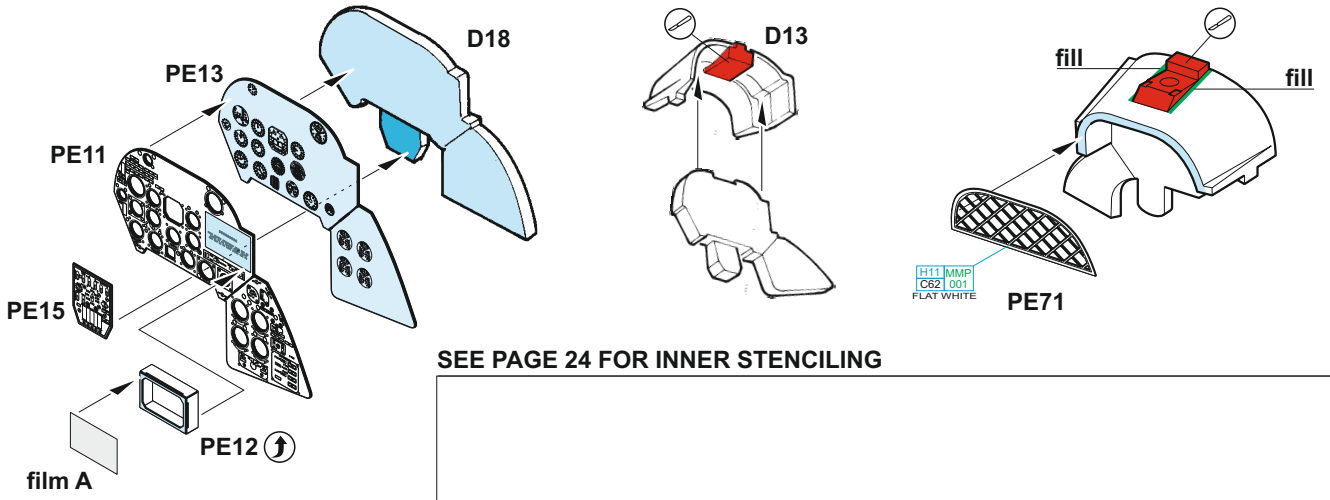


H61	- MARKINGS	C; H
C35	- MARKINGS	A; B; D; F
GRAY		
H334	- MARKING	G
C334		
BARLEYGRAY		
H417/MMP	- MARKING	E
C117 051		
LIGHT BLUE		
H339/MMP		
C369 094		
MEDIUM SEAGRASS		

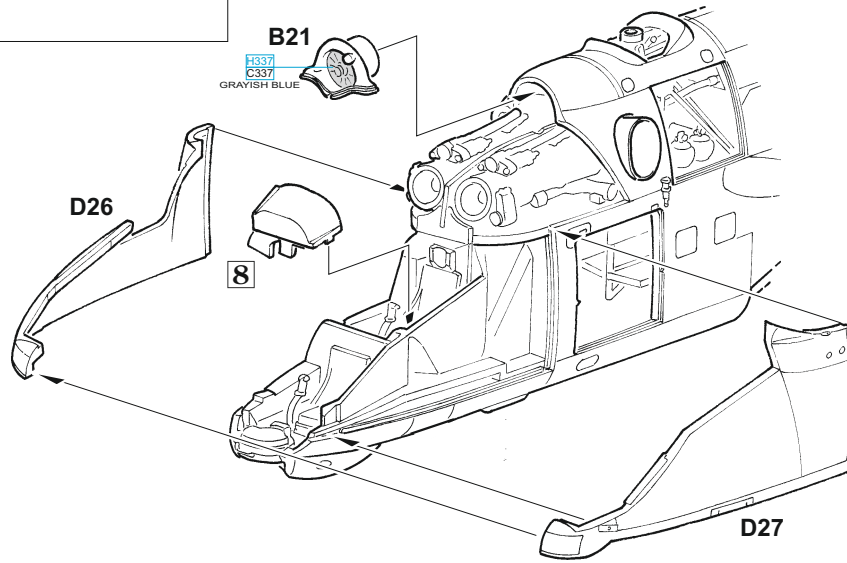
3 =



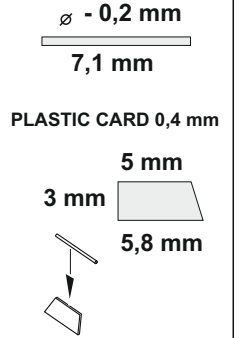
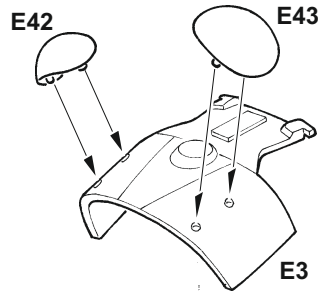
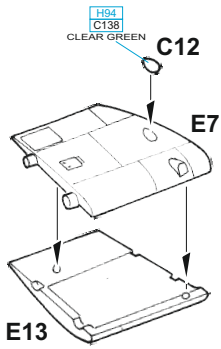
8



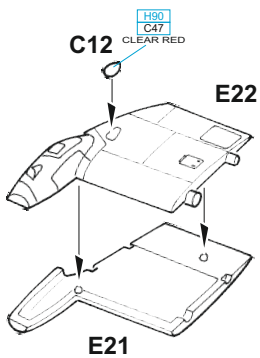
SEE PAGE 24 FOR INNER STENCILING



9



10



GLUE AFTER PAINTING

PE42  
2 pcs.

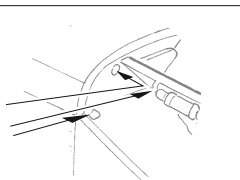
B53  
3

B48

B57  
3

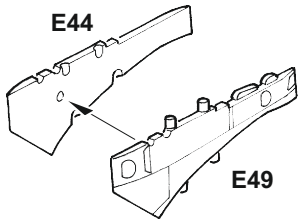
B23

MARKING I ONLY

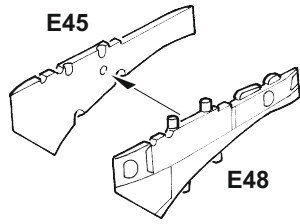




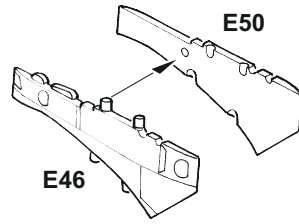
11



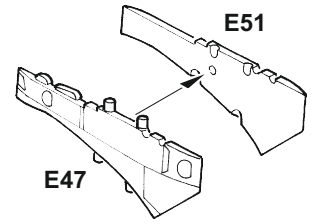
12



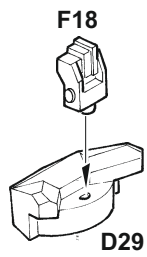
13



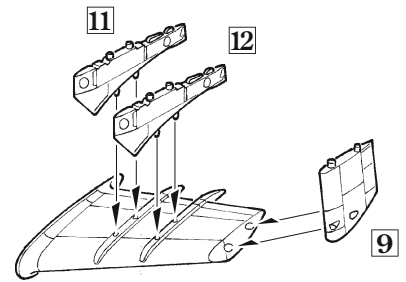
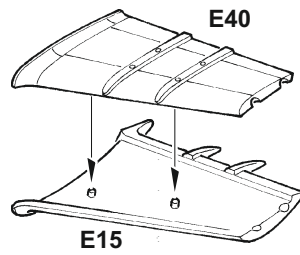
14



15

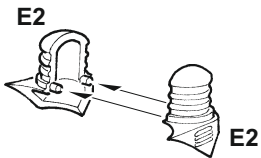


16

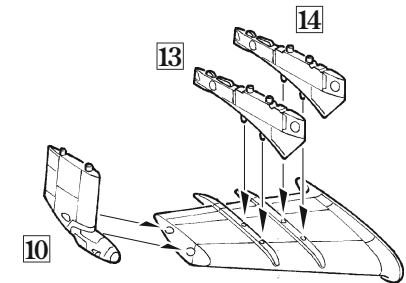
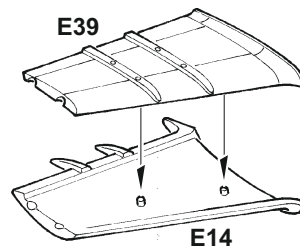


17

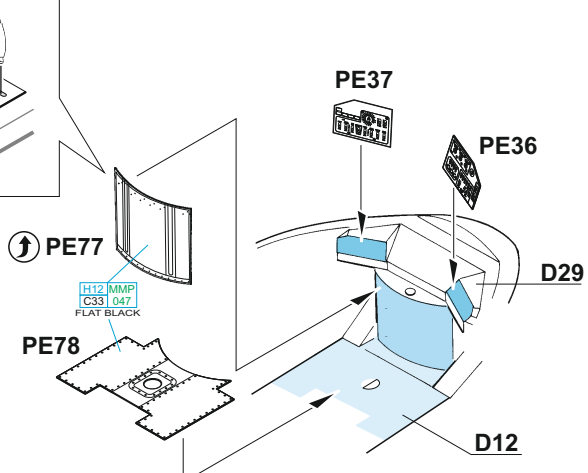
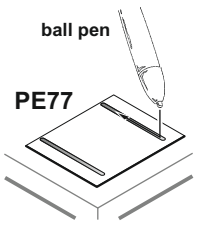
MARKINGS A B D E F H



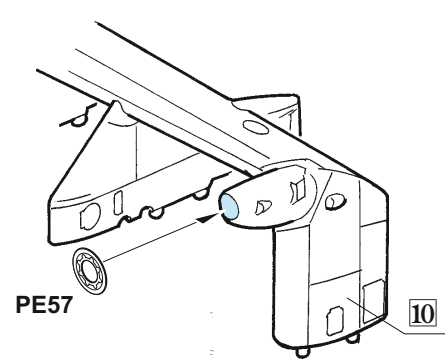
18

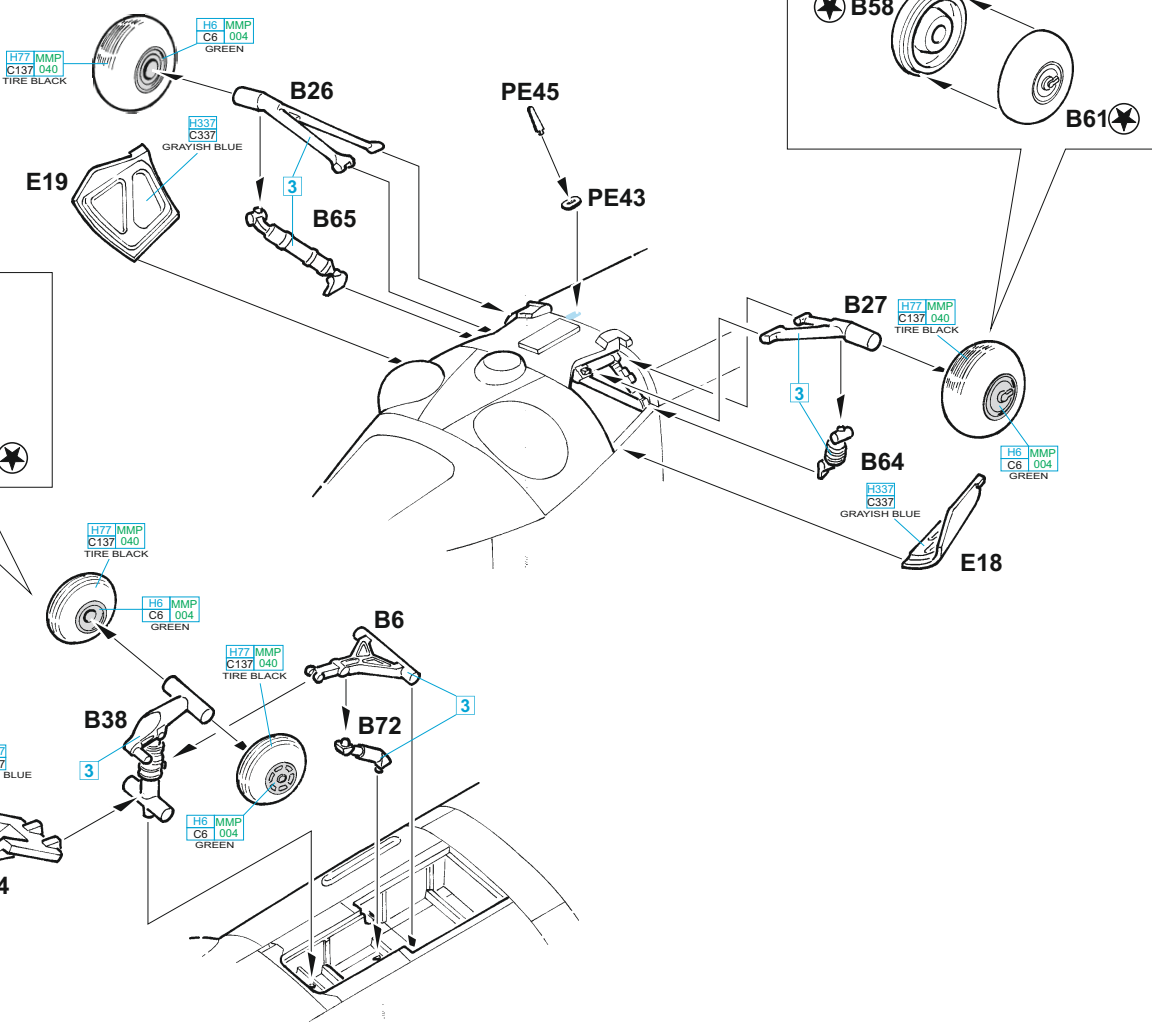
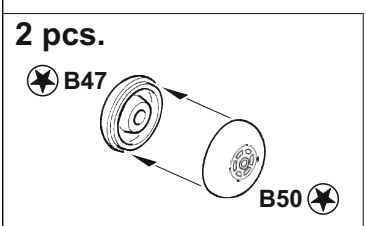
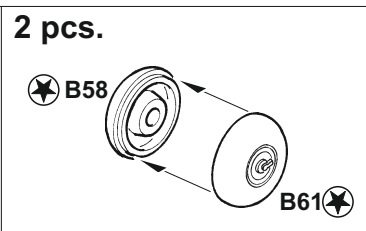
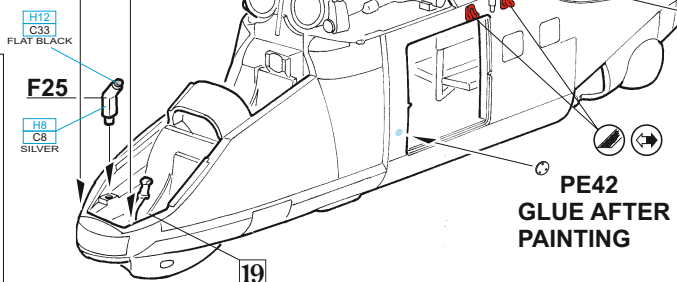
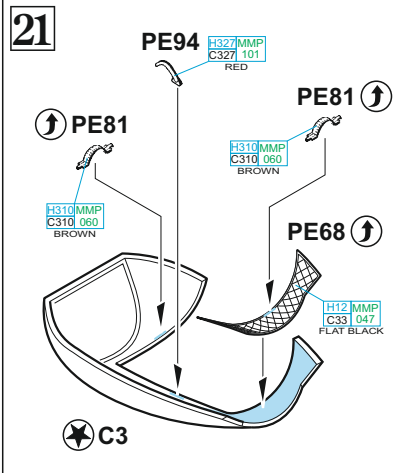
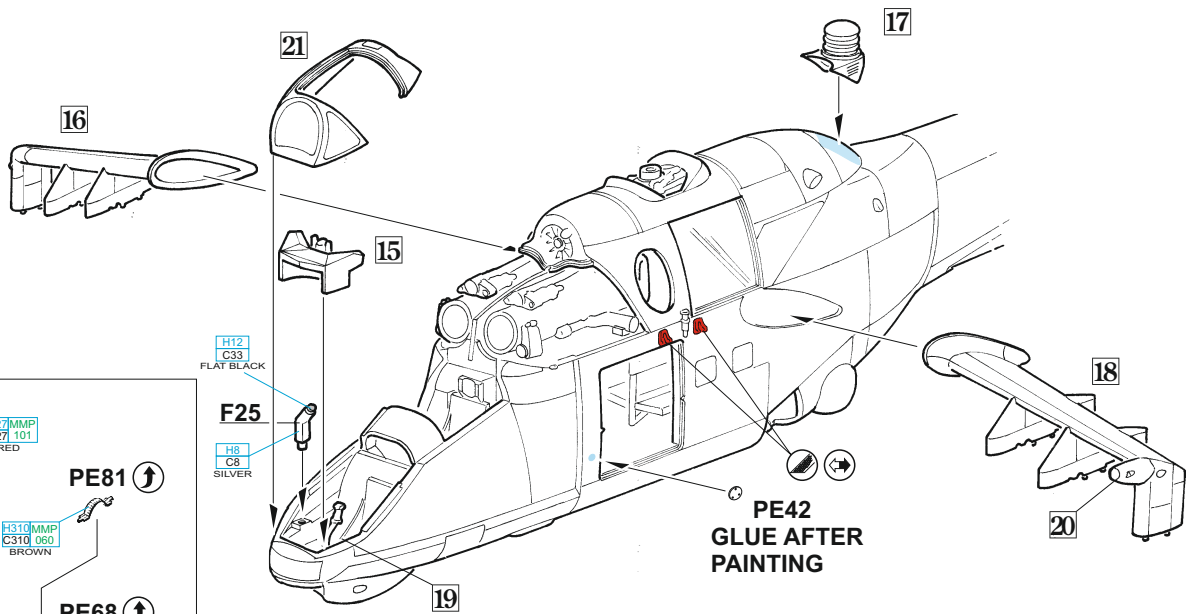


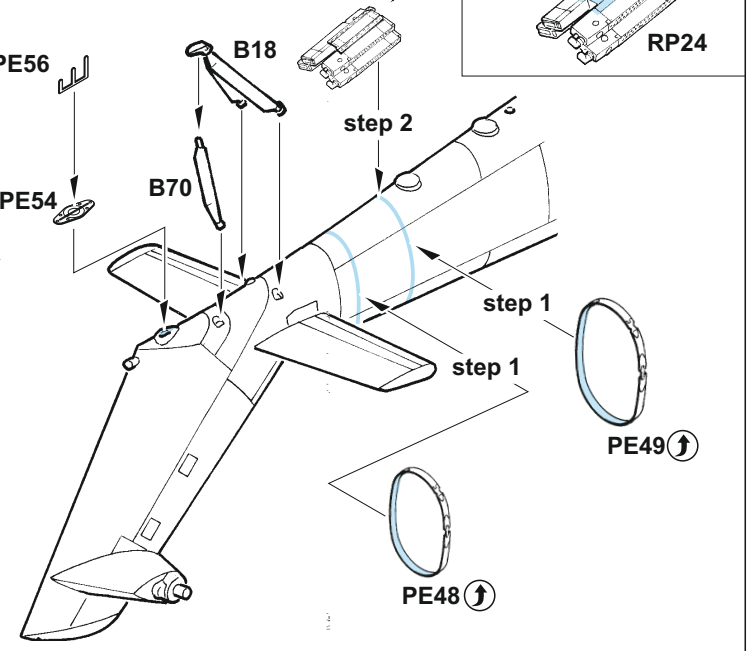
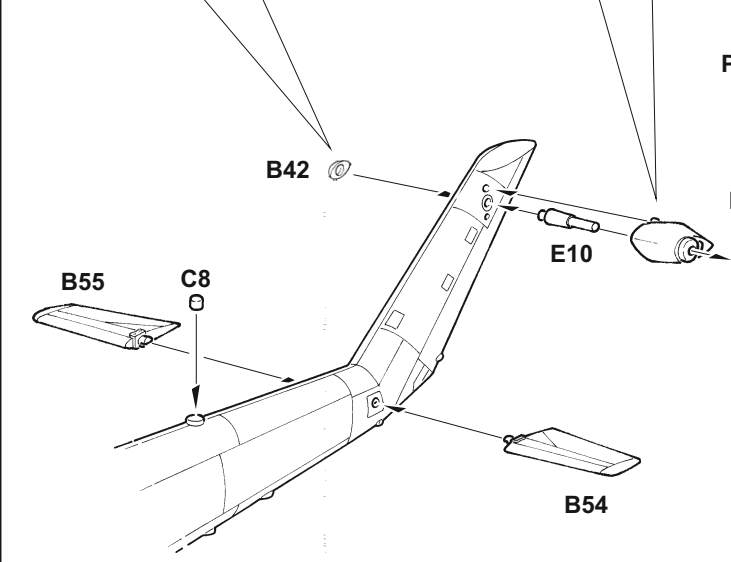
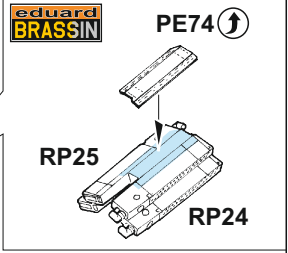
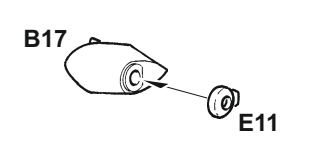
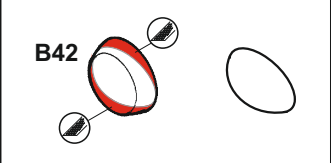
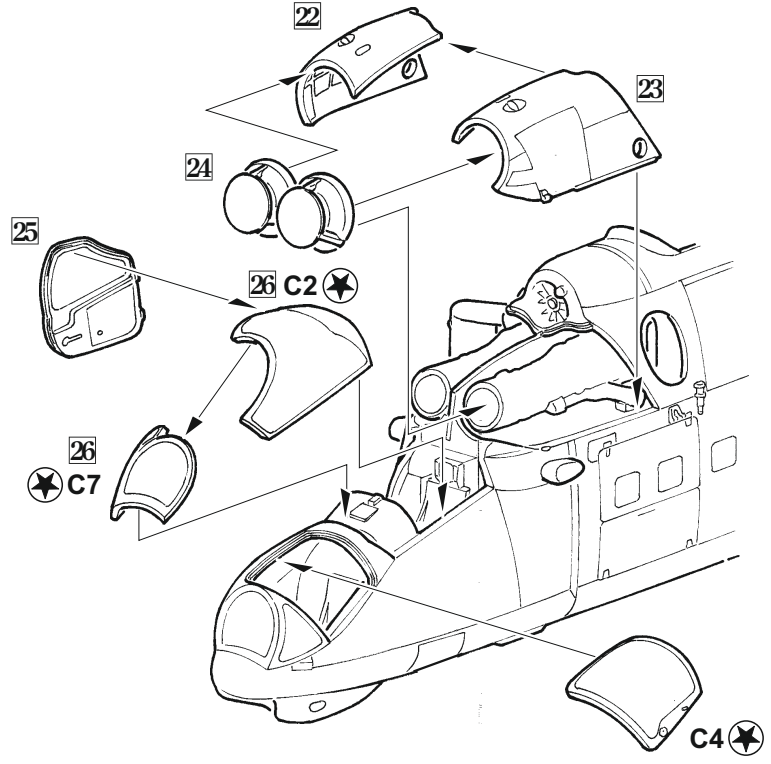
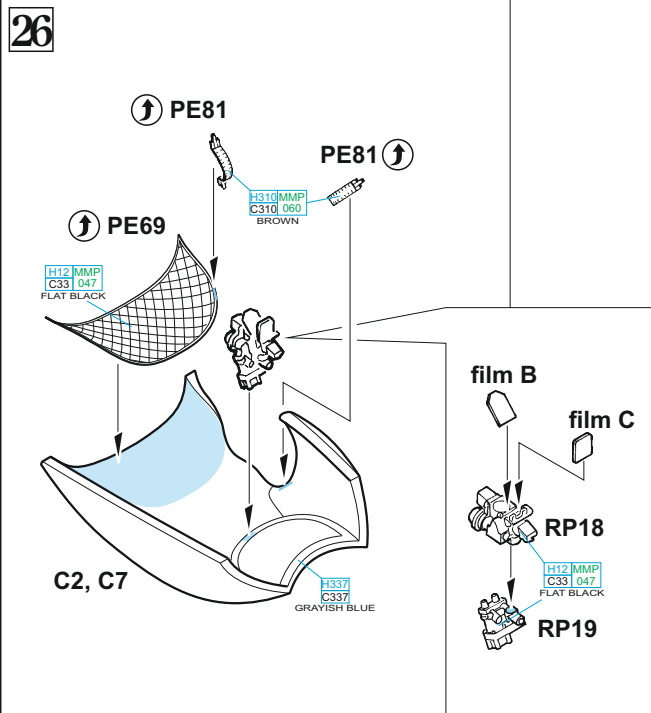
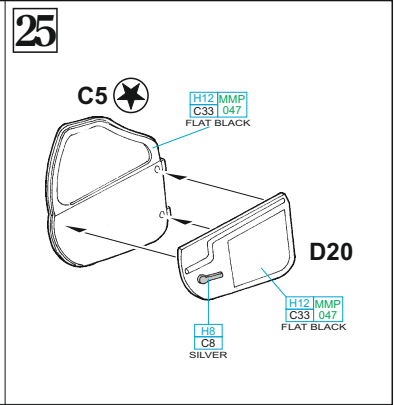
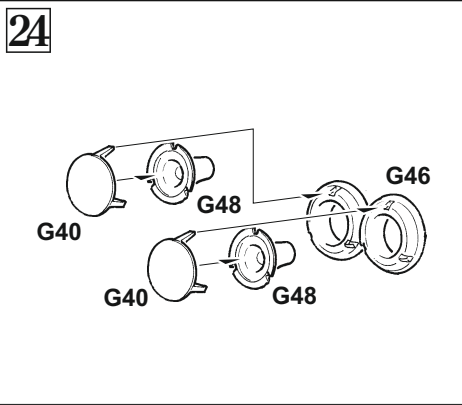
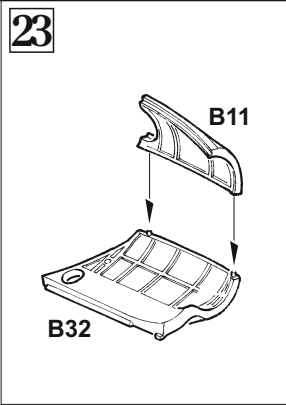
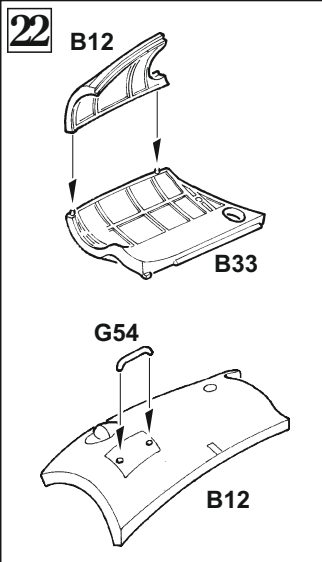
19



20

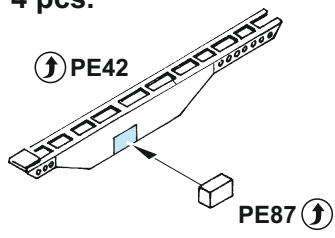




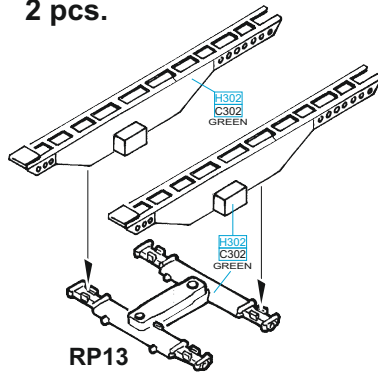




4 pcs.



2 pcs.



2 pcs.

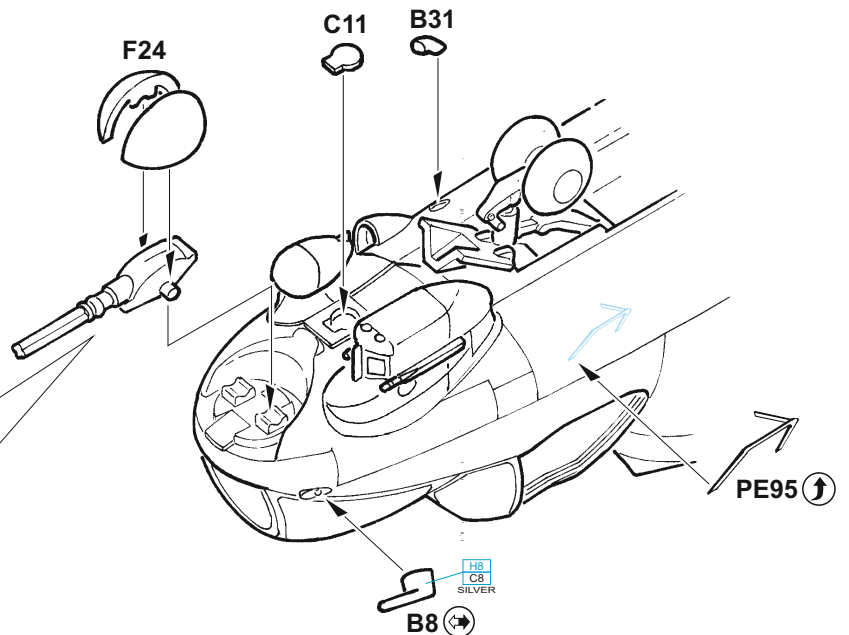
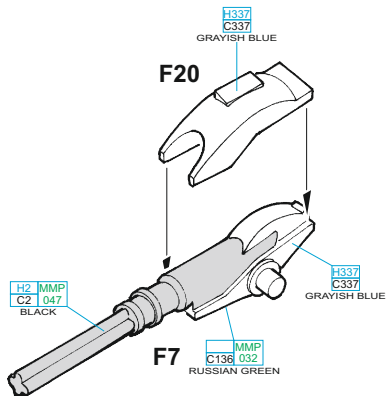
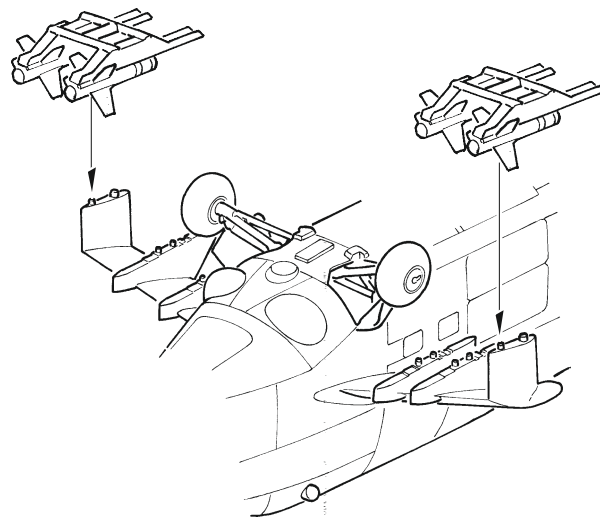
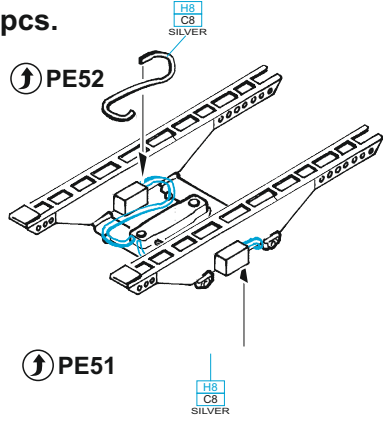
2 pcs. RP12

2 pcs. PE88

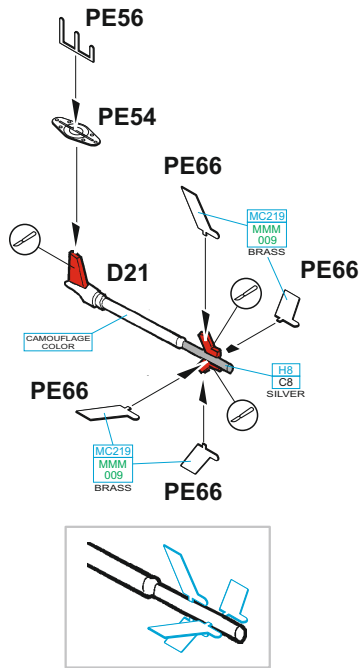
H12 MMP C33 047 FLAT BLACK

PE93 2 pcs. H8 C8 SILVER

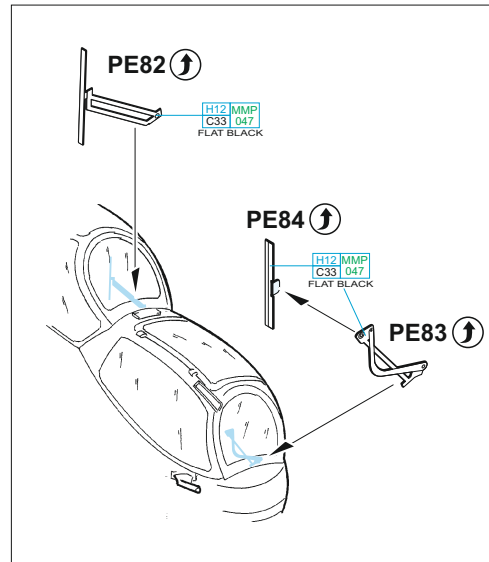
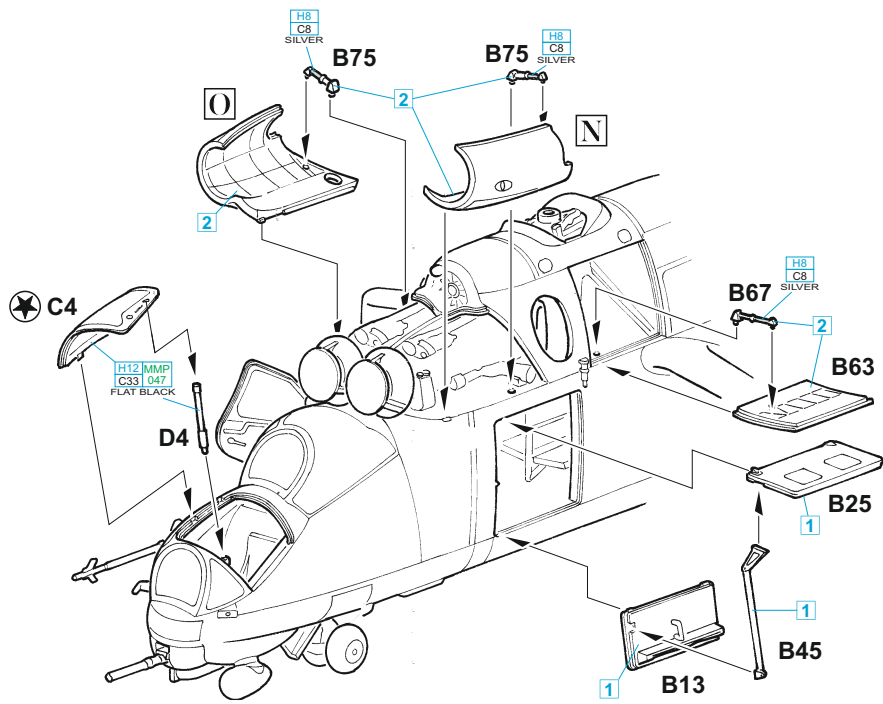
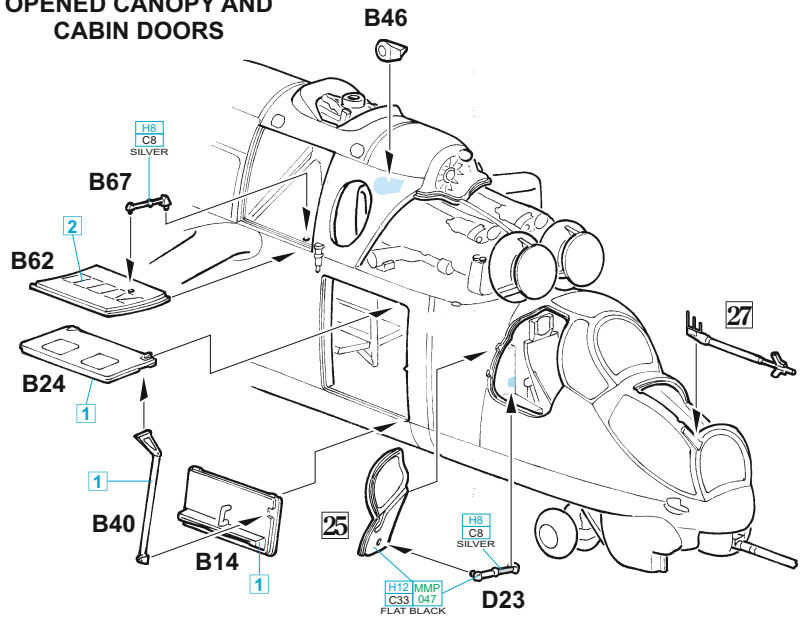
2 pcs.



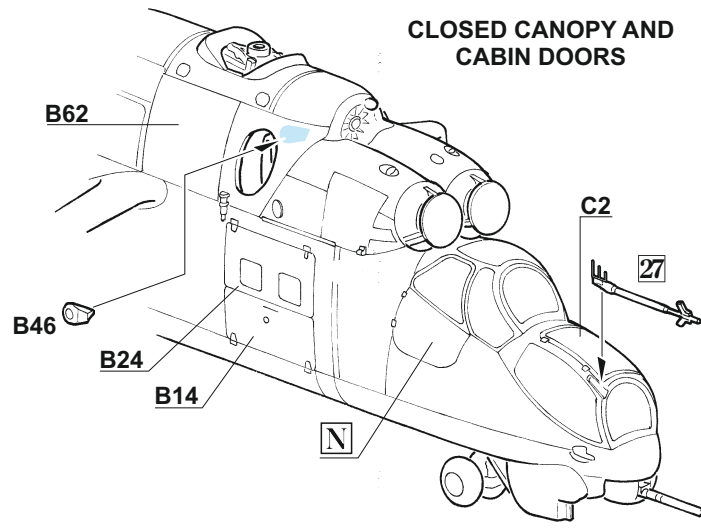
27



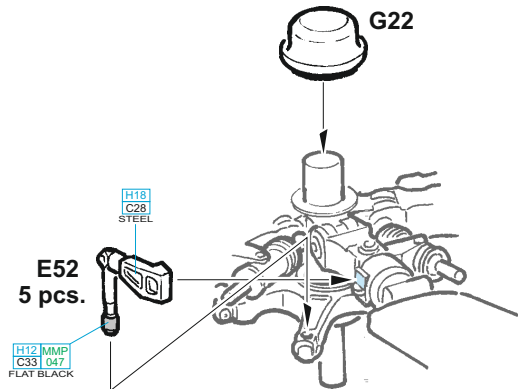
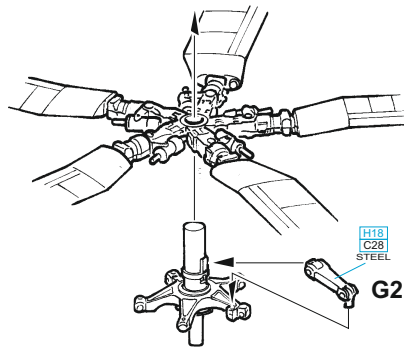
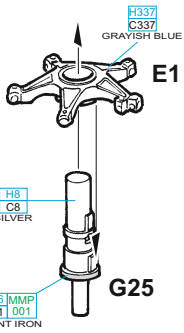
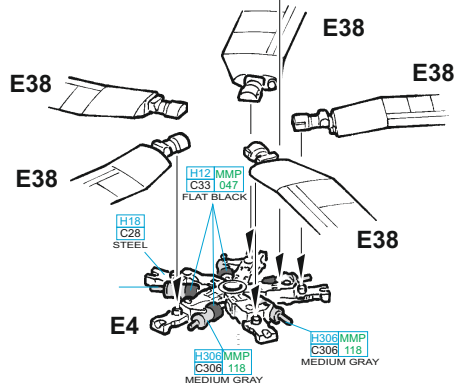
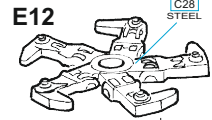
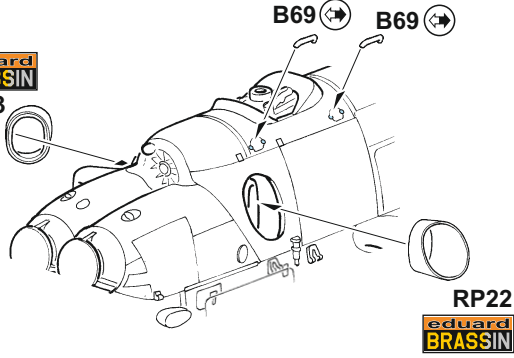
### OPENED CANOPY AND CABIN DOORS



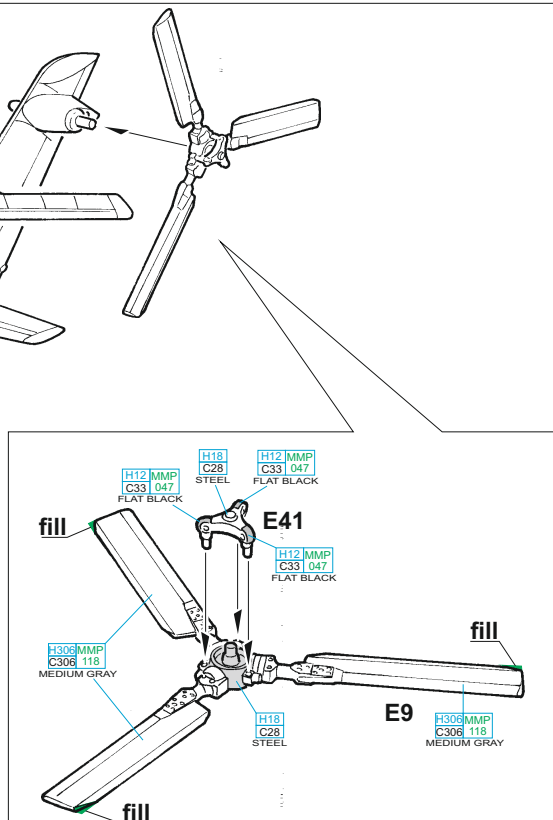
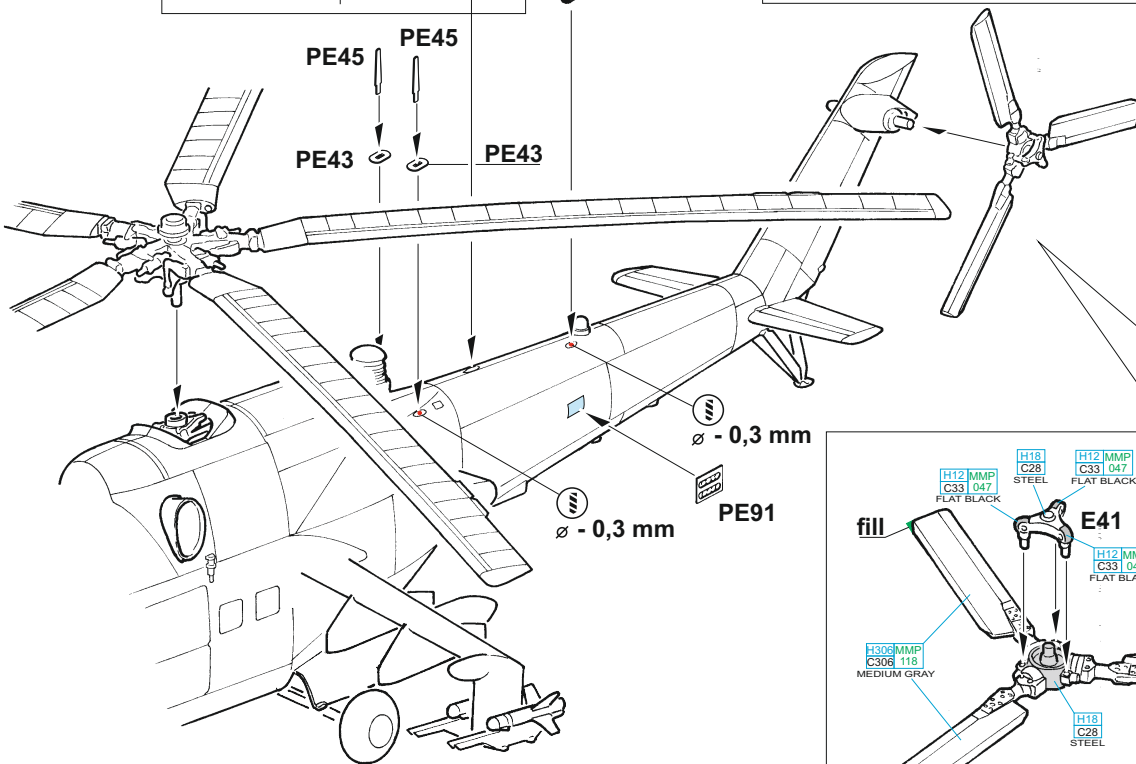
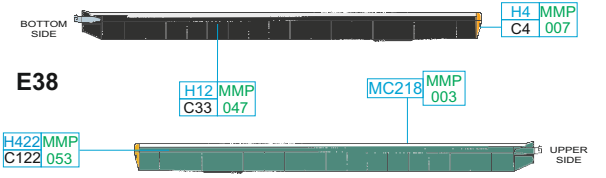
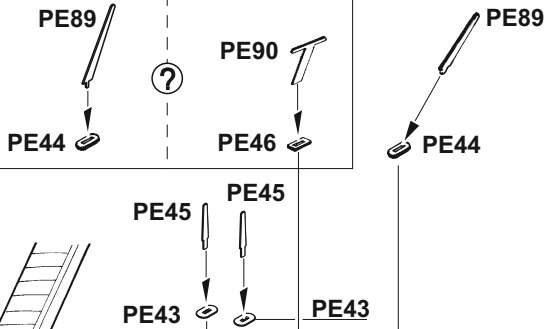
### CLOSED CANOPY AND CABIN DOORS



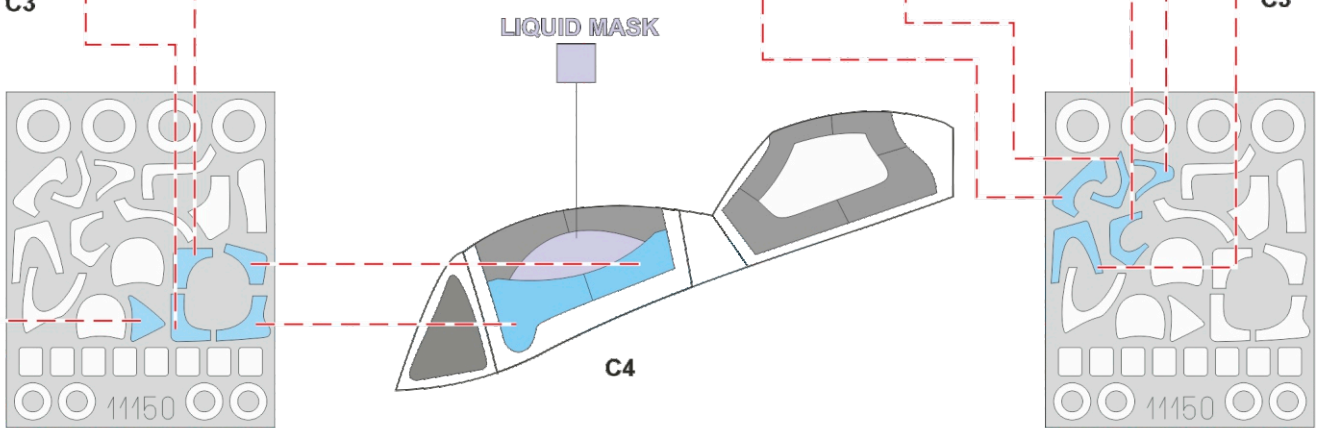
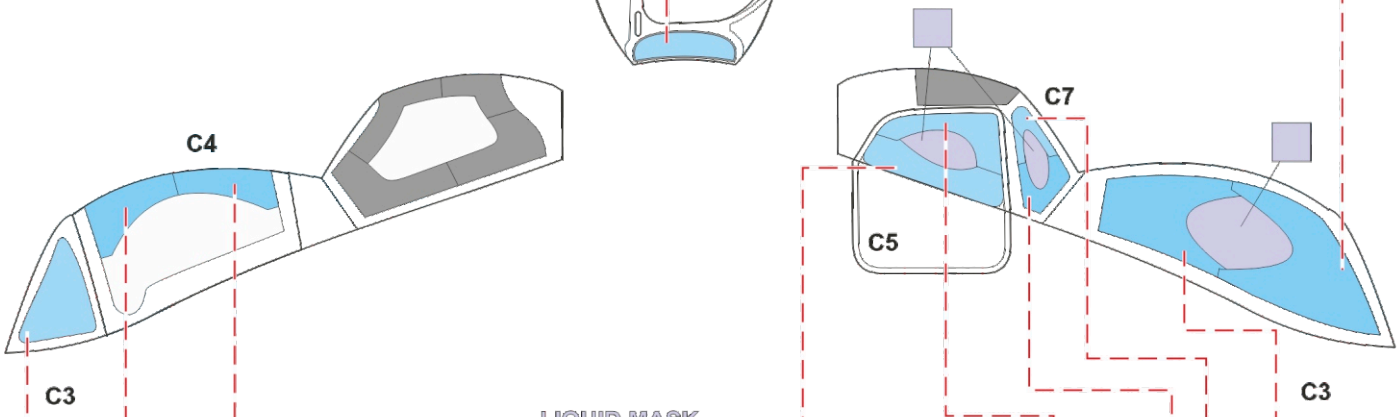
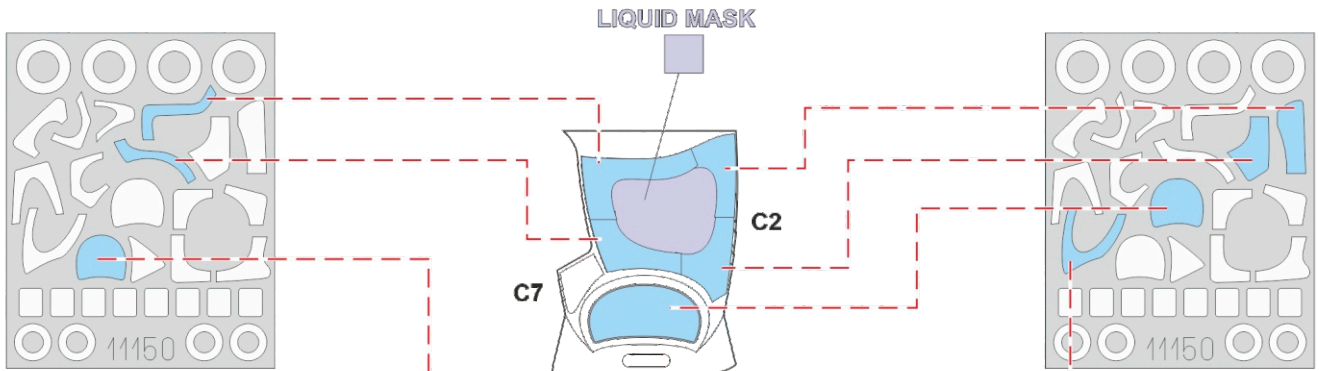
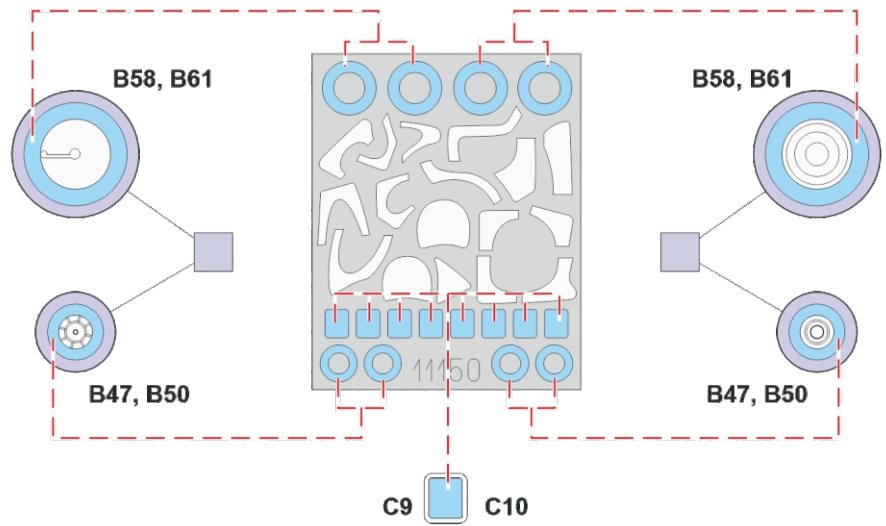
**eduard**  
**BRASSIN**  
RP23



PE44, PE89 - MARKING **G** ONLY



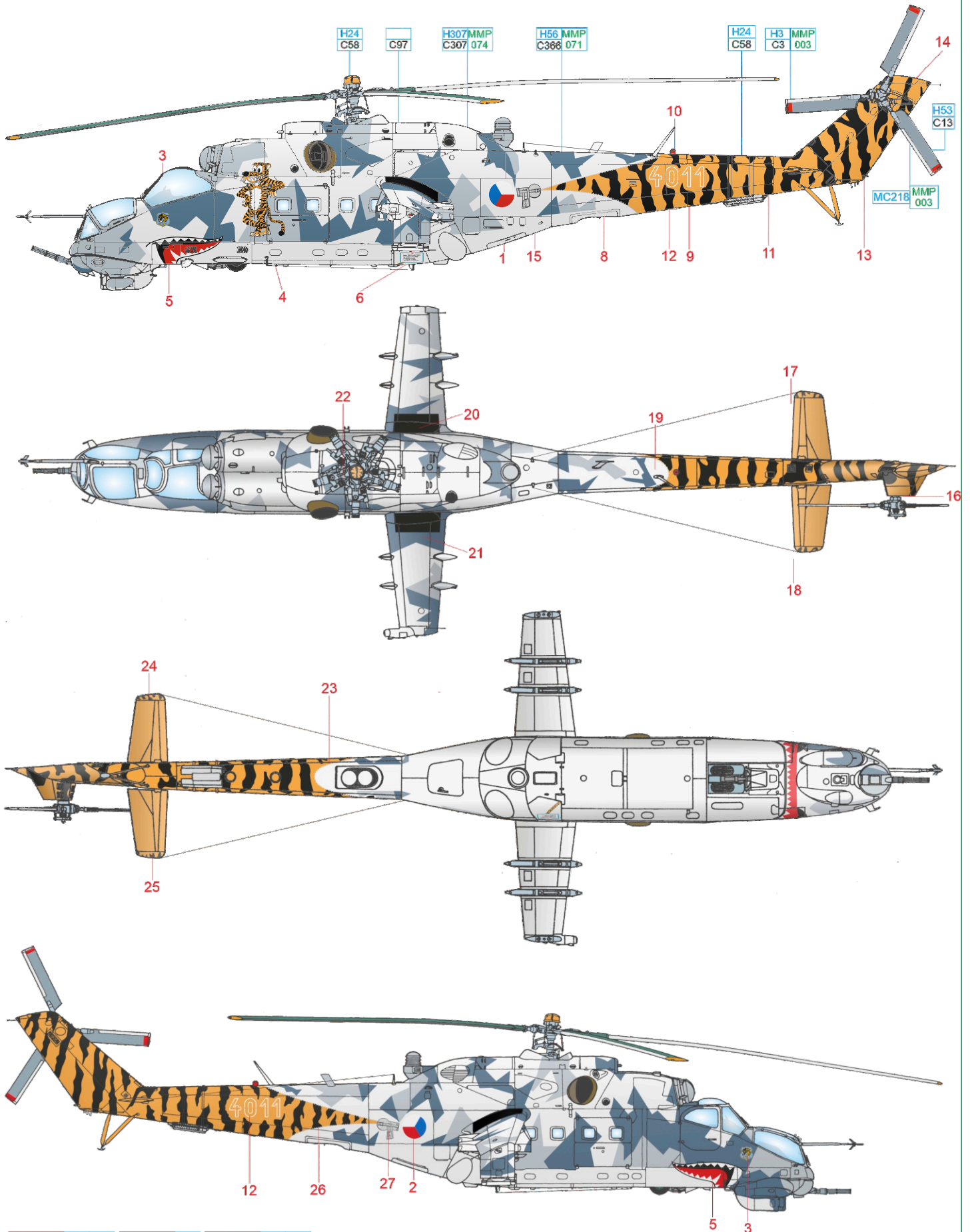




# A 4011

plk. Čestmír Tesařík, npor. Miloš Pecha, npor. Slavomír Medzihradský, 331. lbvr,  
33. zVrL Přeřov, RIAT Fairford (UK), 24. července 1995

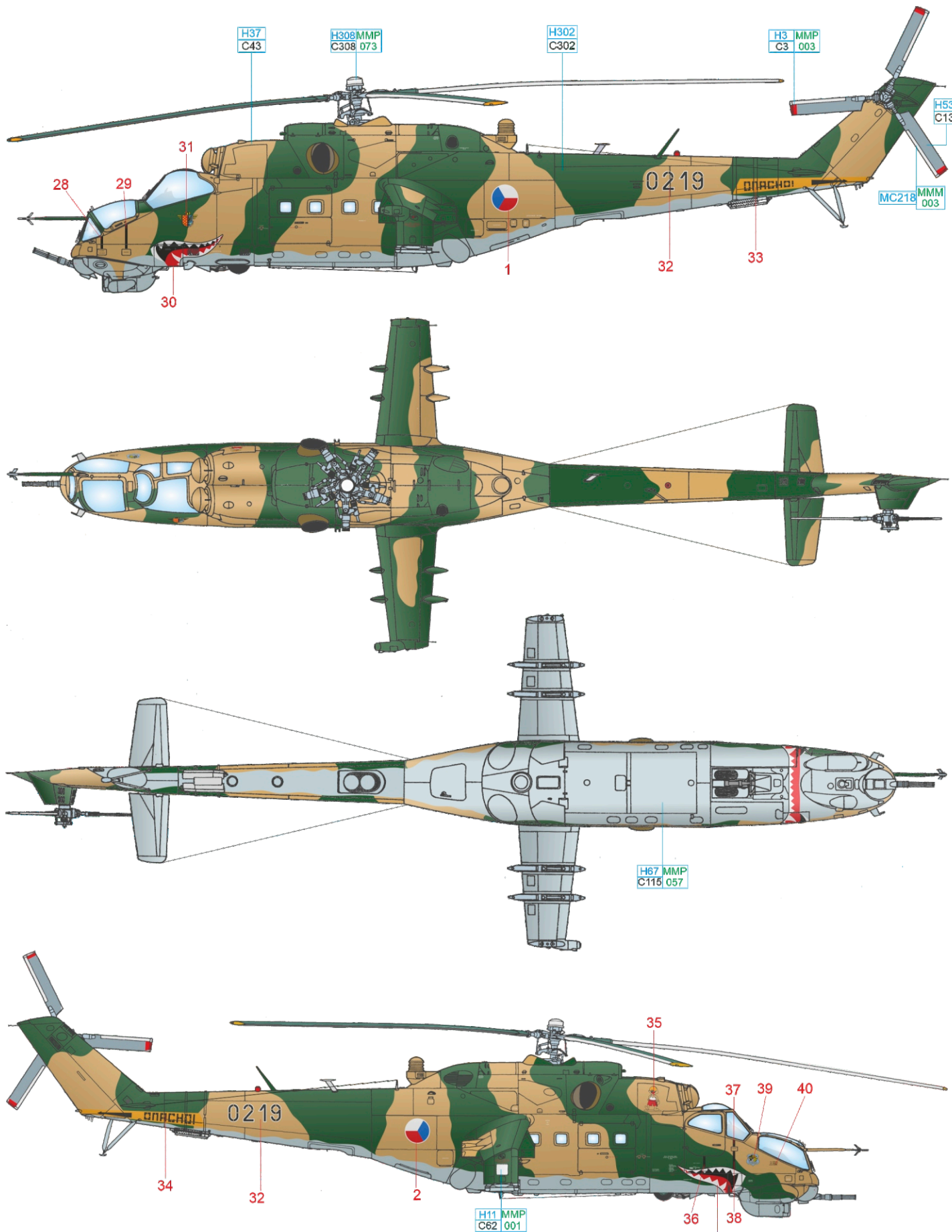
331 Attack Helicopter Sqn, 33 Helicopter Base, Přeřov, RIAT Fairford (UK), July 24, 1995



RED	H3 MMP C3 003	LIGHT GRAY	C97	INTERMEDIATE BLUE	H56 MMP C366 071
GRAY	H307 MMP C307 074	ORANGE	H24 C58	NEUTRAL GRAY	H53 C13
				ALUMINIUM	MC218 MMP 003

# B 0219

mjr. František Mirohna, kpt. Jaroslav Špaček, nrtm. Pavel Horák, 1. letka, 51. vrp Prostějov,  
 Kit Show Zlín, Kunovice, 2. května 1992  
 0219, 1 Sqn, 51 Helicopter Regiment, Prostějov, Kit Show Zlín, Kunovice, May 2, 1992



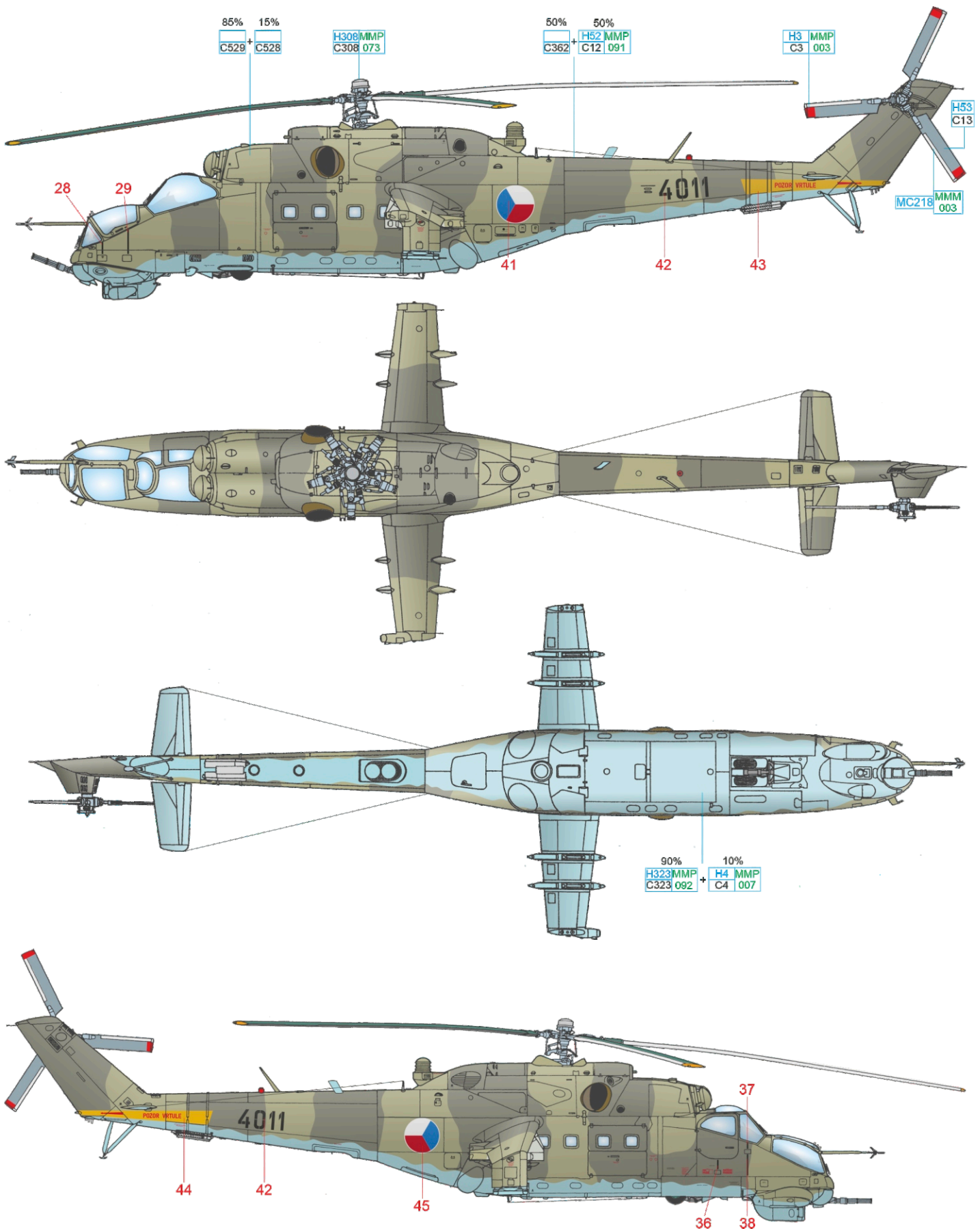
RED	H3 MMP C3 003	GRAY	H308MMP C308 073	WOOD	H37 C43	NEUTRAL GRAY	H53 C13
WHITE	H11 MMP C62 001	LIGHT BLUE	H67 MMP C115 057	GREEN	H302 C302	ALUMINIUM	MC218 MMP 003



# C 4011

331. lbvr, 33. zVrL Přerov, Aviatická pouť Pardubice, 1. června 1997

331 Attack Helicopter Sqn, 33 Helicopter Base, Přerov, Pardubice Airshow, June 1, 1997



LIGHT BLUE	H323 MMP C323 092	OCEAN GRAY	C362	MMP 093	IDF GRAY	C528	IDF GRAY	C529
GRAY	H308 MMP C308 073	RED	H3 C3	MMP 003	NEUTRAL GRAY	H53 C13	ALUMINIUM	MC218
							MMP 003	OLIVE DRAB
							C12	091

# D 0151

kpt. Marián Cíván, por. Ladislav Vodička, nrtm. Jiří Janeček, 2. letka, 51. vrp Prostějov, přelet Prostějov – Kbely a zpět, 18. srpna 1992  
 2 Sqn, 51 Helicopter Regiment, Prostějov, flight Prostějov – Kbely and back, August 18, 1992

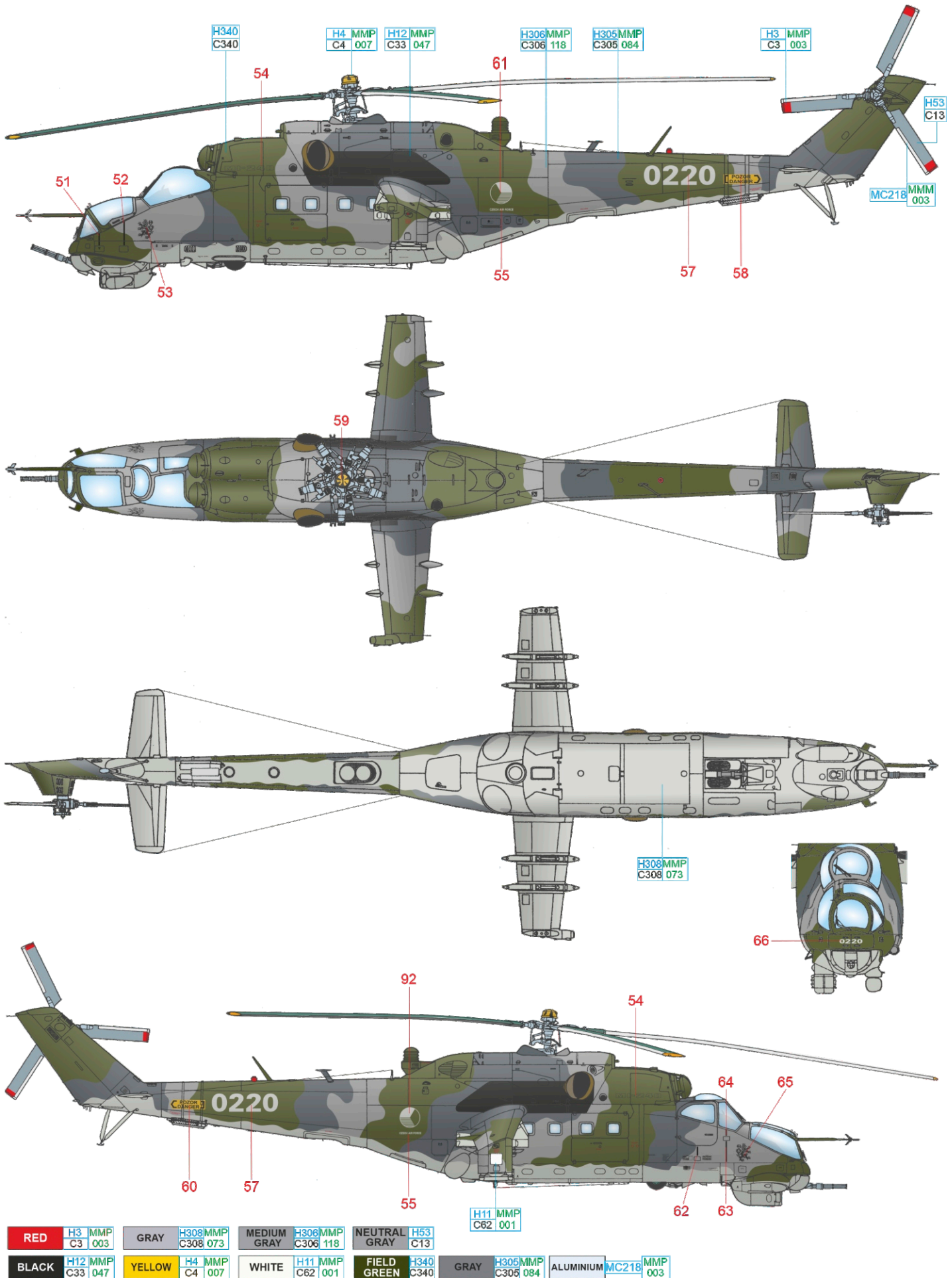


RED	H3 MMP C3 003	WOOD	H37 C43	NEUTRAL GRAY	H53 C13	LIGHT BLUE	H67 MMP C115 057
WHITE	H11 MMP C62 001	GREEN	H302 C302	BRIGHT BLUE	H15 C65	ALUMINIUM	MC218 MMP 003

# E 0220

kpt. Karel Martínek, por. Miroslav Šajban, npor. Jiří Bakule 231. vrlt, 23. zVrL Přerov, Gilze-Rijen (NL), 6. července 2002

231 Helicopter Sqn, 23 Helicopter Base, Přerov, Gilze-Rijen (NL), July 6, 2002

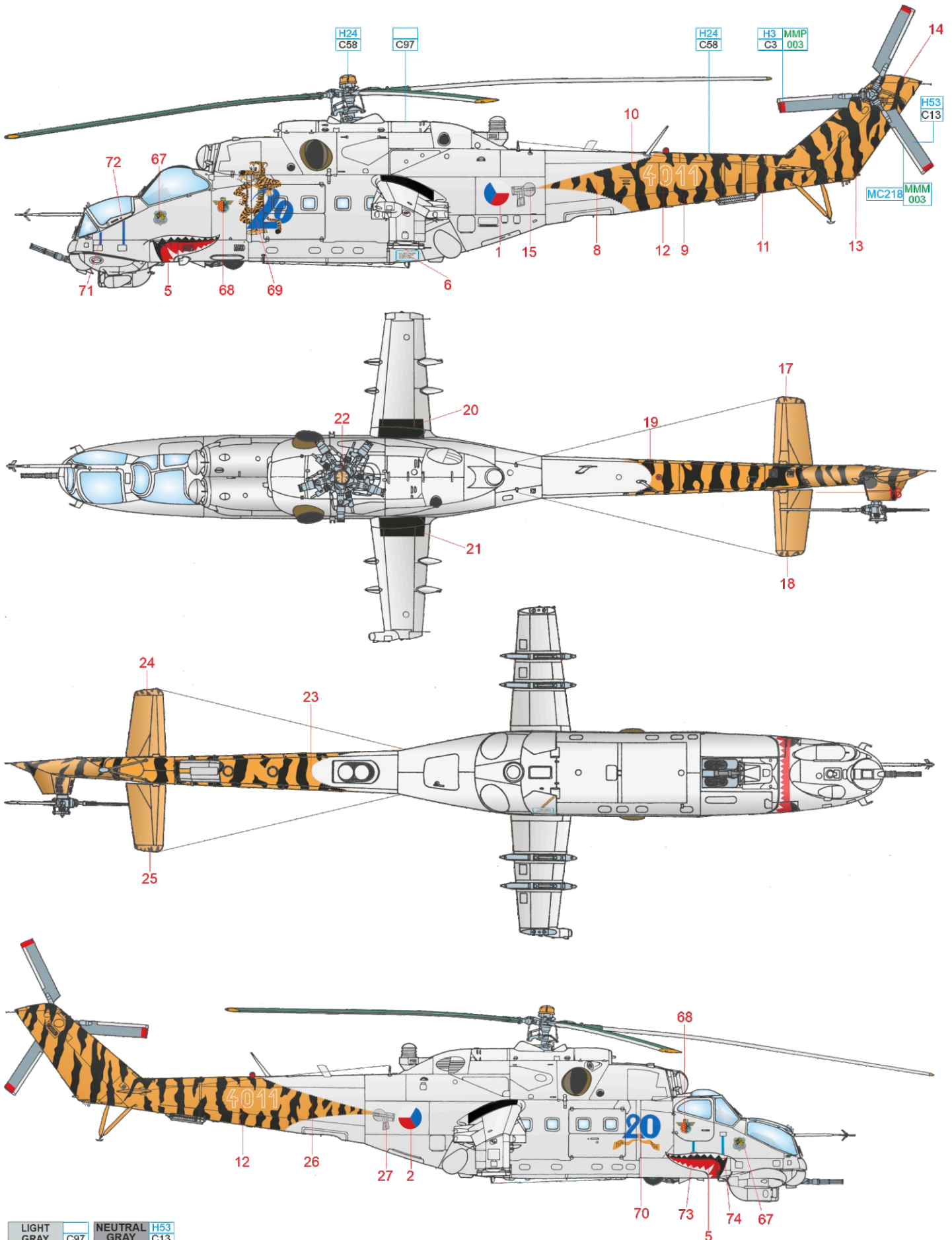




# F 4011

mjr. Jaroslav Špaček, npor. Rudolf Straka, prap. Michal Staněk, 1. letka, 51. vrp,  
Prostějov, 13. dubna 1994

1 Sqn, 51 Helicopter Regiment, Prostějov, April 13, 1994



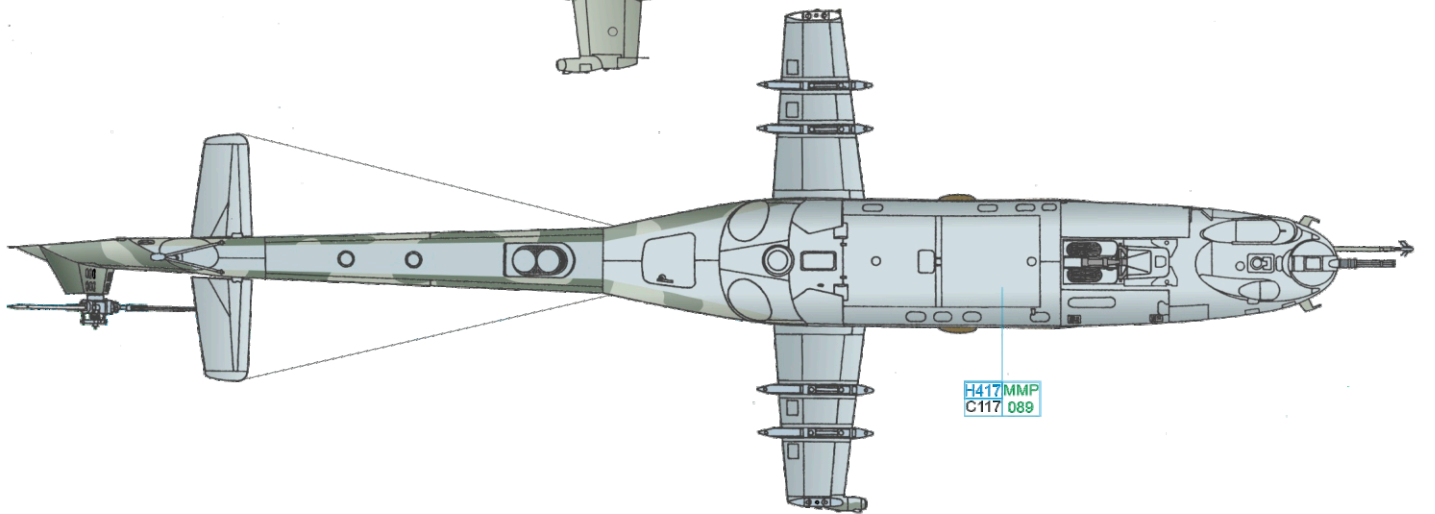
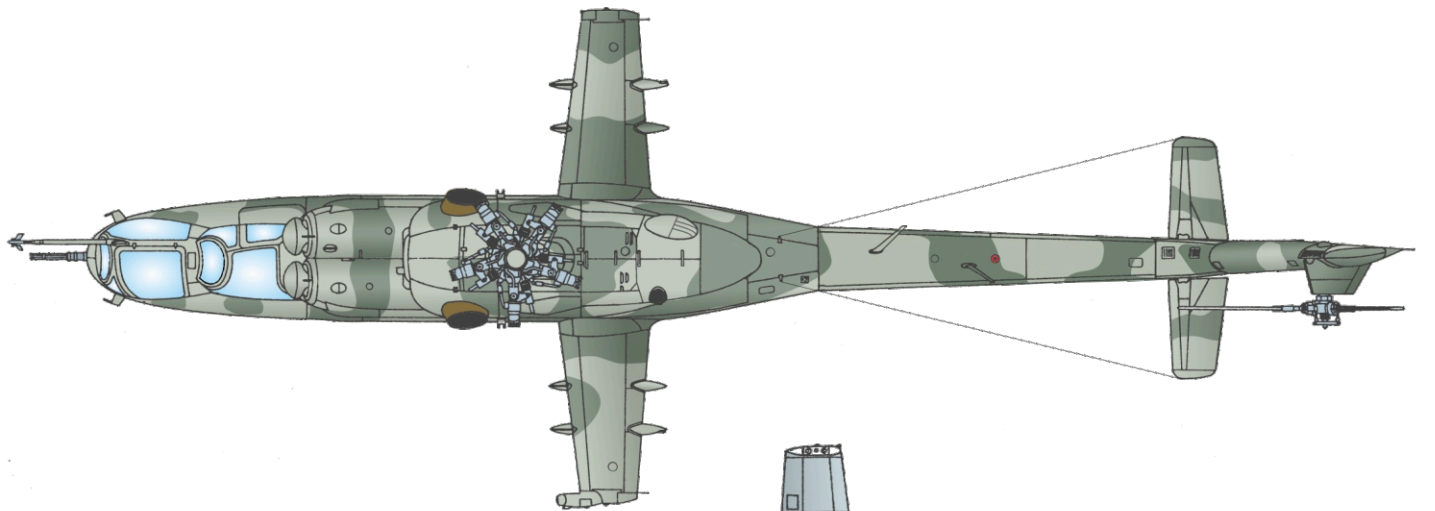
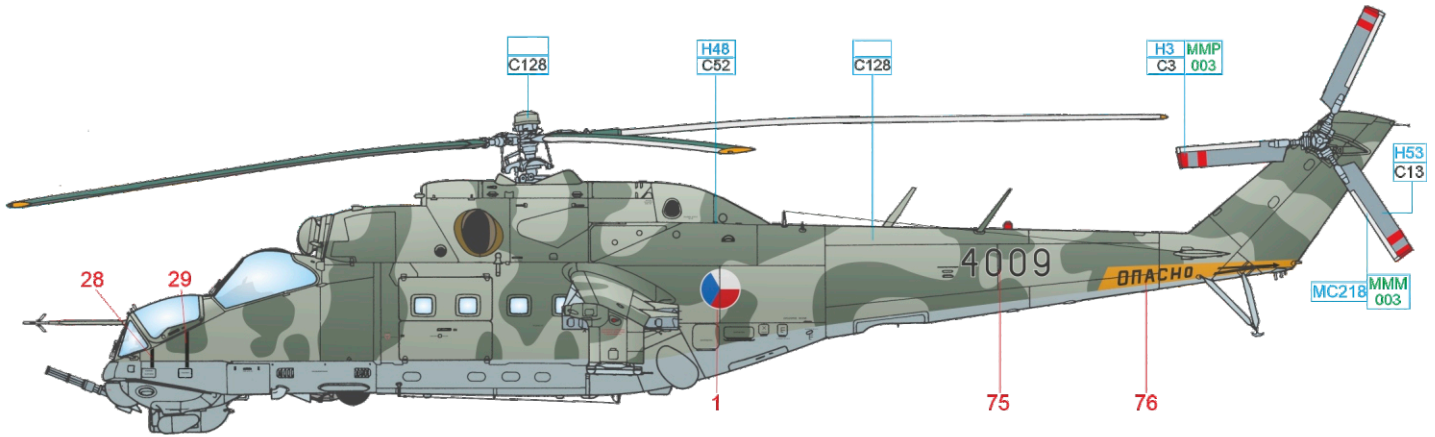
LIGHT GRAY	C97	NEUTRAL GRAY	H53 C13
ORANGE	H24 C58	RED	H3 C3, MMP 003
		ALUMINIUM	MC218, MMM 003



# G 4009

11. vrp, Plzeň-Bory, 1985

11 Helicopter Regiment, Plzeň-Bory, 1985

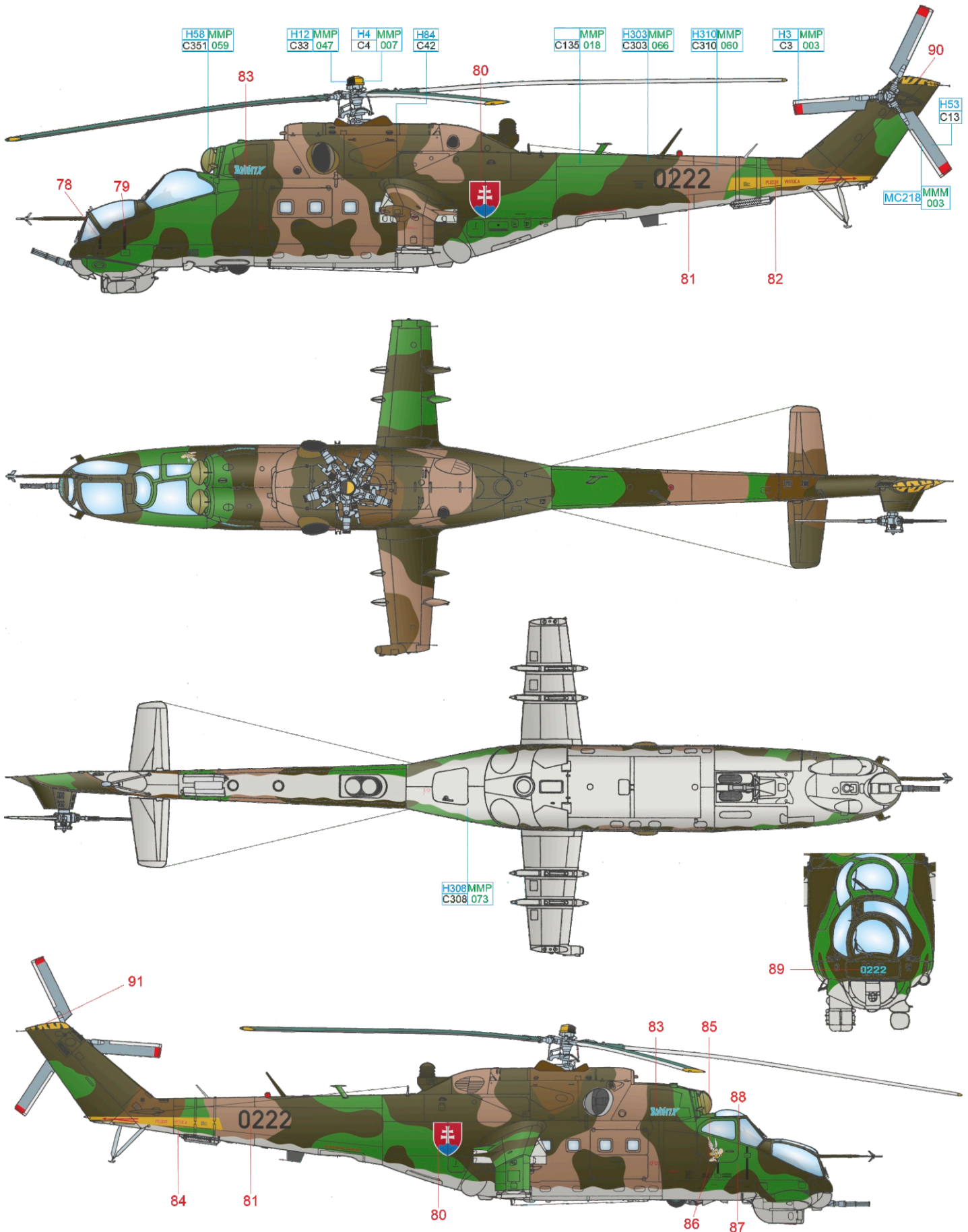


RED	H3 MMP C3 003	GRAY GREEN	C128	LIGHT BLUE	H417 MMP C117 089
WHITE	H11 MMP C62 001	FIELD GRAY	H48 C52	NEUTRAL GRAY	H53 C13
				ALUMINIUM	MC218 MMP 003

# H 0222

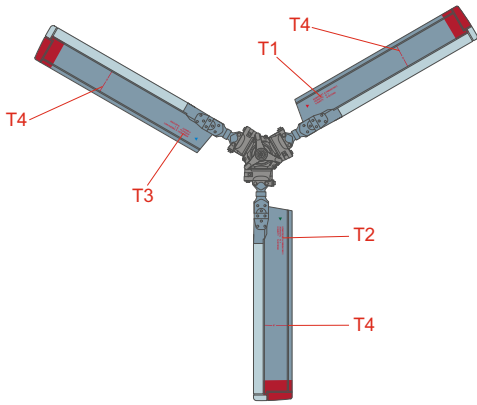
1. letka, 4. vrp, letecká základňa Prešov, 2009

1 Sqn, 4 Helicopter regiment, Air Base Prešov, 2009

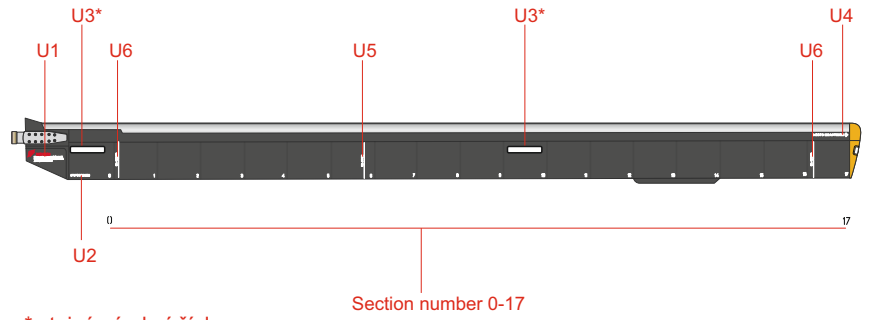


<b>RED</b>	H3 MMP C3 003	<b>GRAY</b>	H308MMP C308 073	<b>RUSSIAN GREEN</b>	MMP C135 018	<b>INTER. GREEN</b>	H58 MMP C351 059	<b>MAHOGANY</b>	H84 C42
<b>BROWN</b>	H310MMP C310 060	<b>BLACK</b>	H12 MMP C33 047	<b>YELLOW</b>	H4 MMP C4 007	<b>GREEN</b>	H303MMP C303 066	<b>NEUTRAL GRAY</b>	H53 C13
								<b>ALUMINIUM</b>	MC218 MMP 003

Tail Rotor

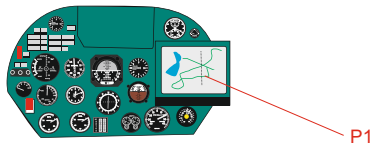


Blades of the Main Rotor

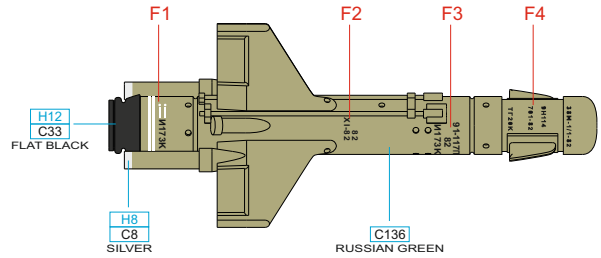


\* stejné výrobní číslo  
\* identical serial number

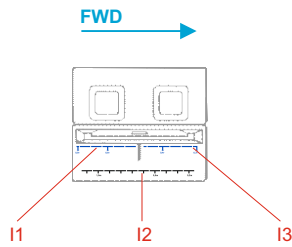
Pilots main instrument panel



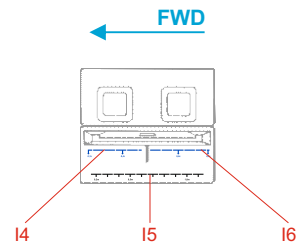
Falanga 9M17P missiles



Left door inside

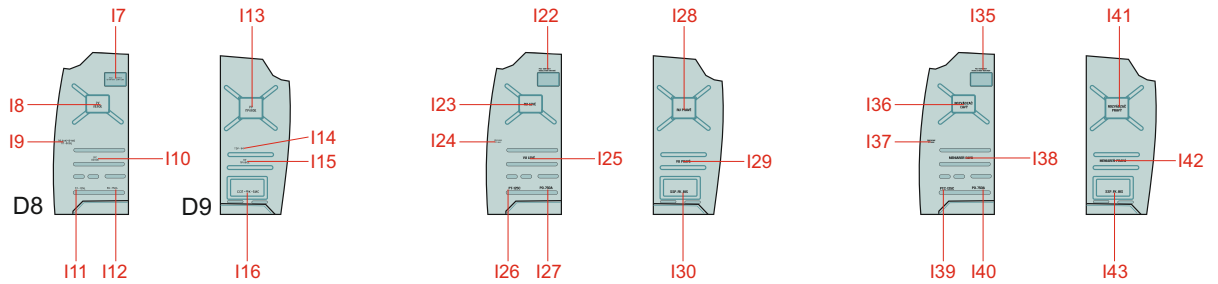


Right door inside

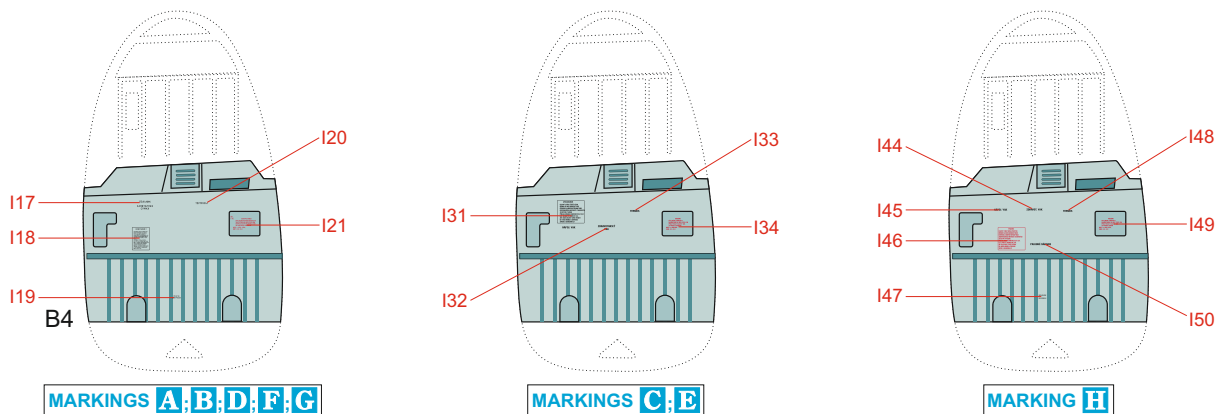


Cargo / troop cabin

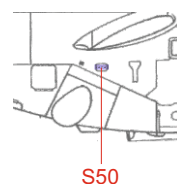
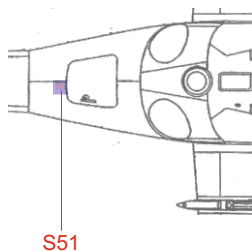
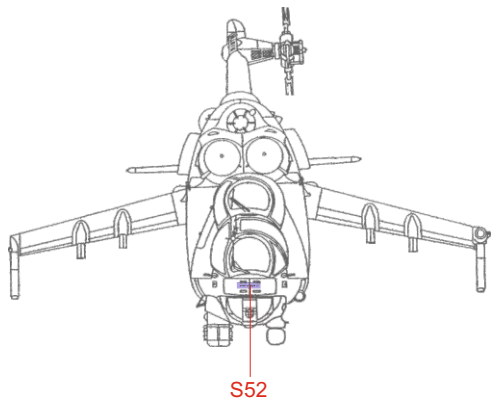
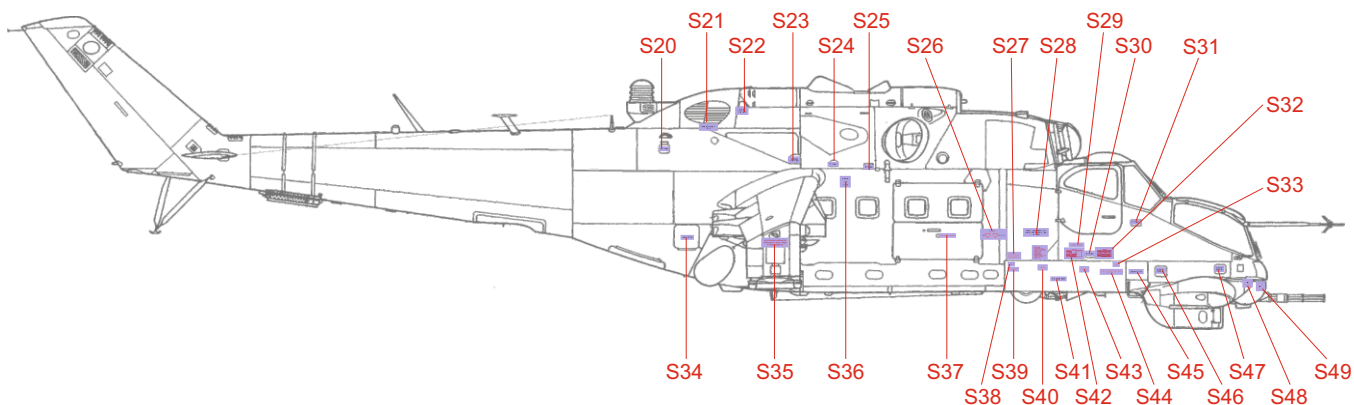
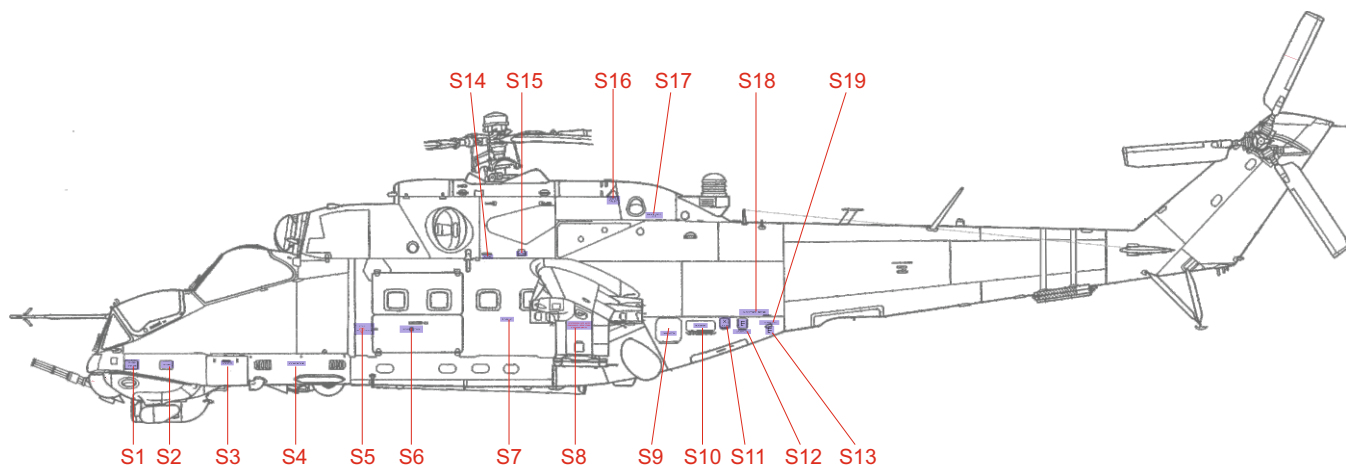
Front



Rear

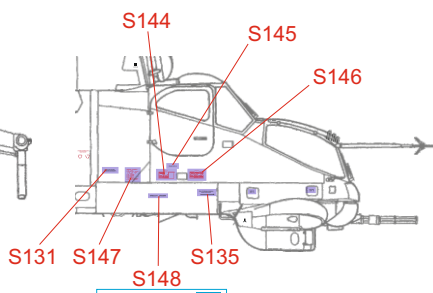
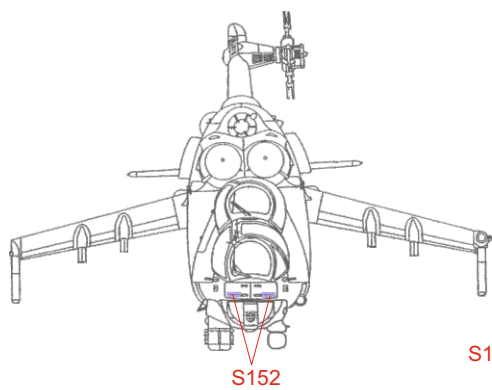
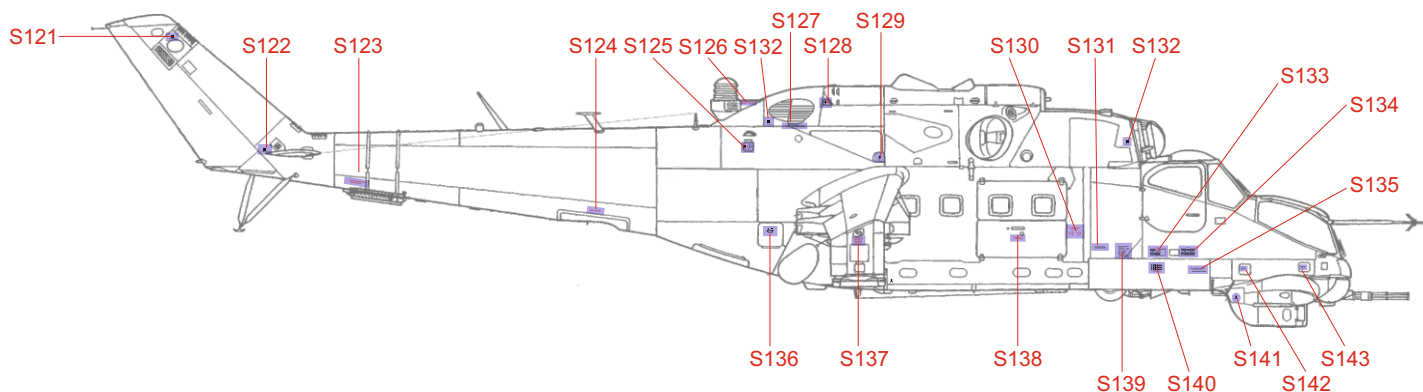
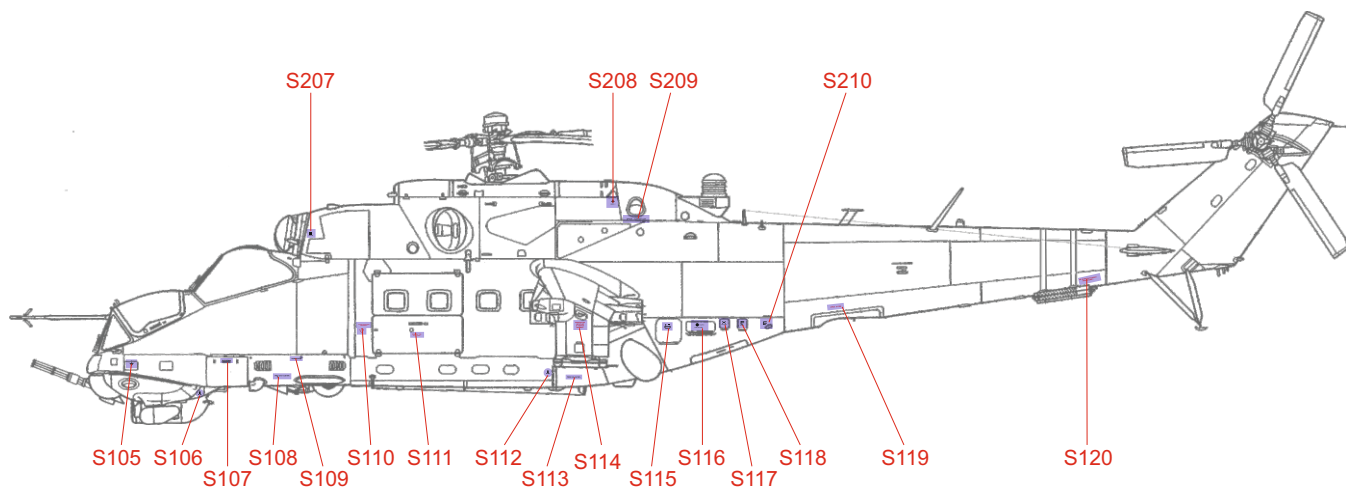


MARKINGS B,D

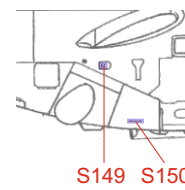
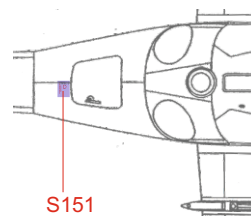




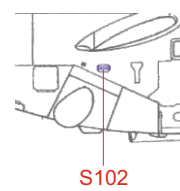
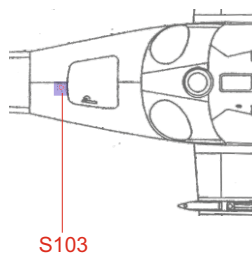
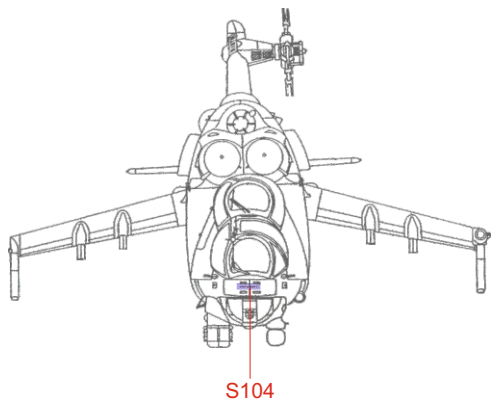
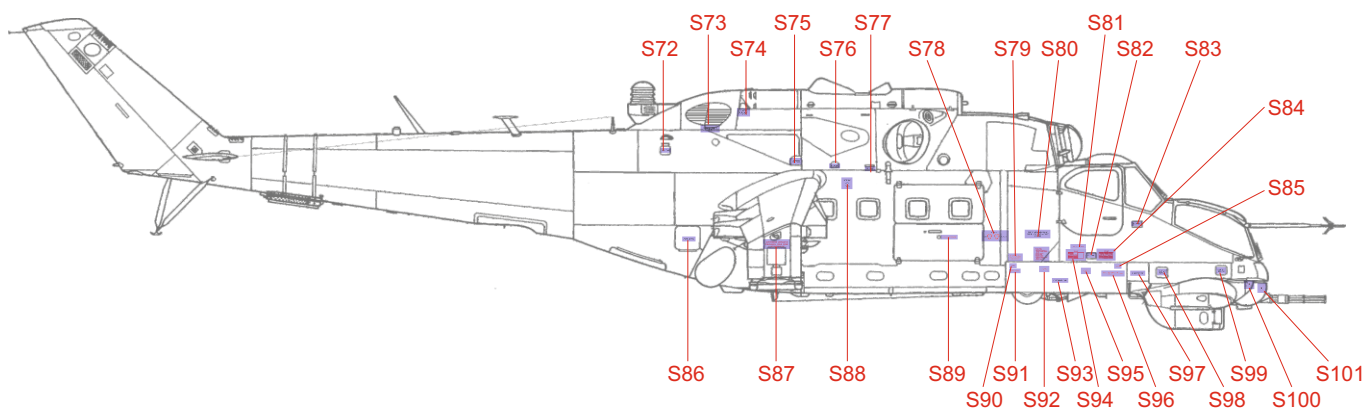
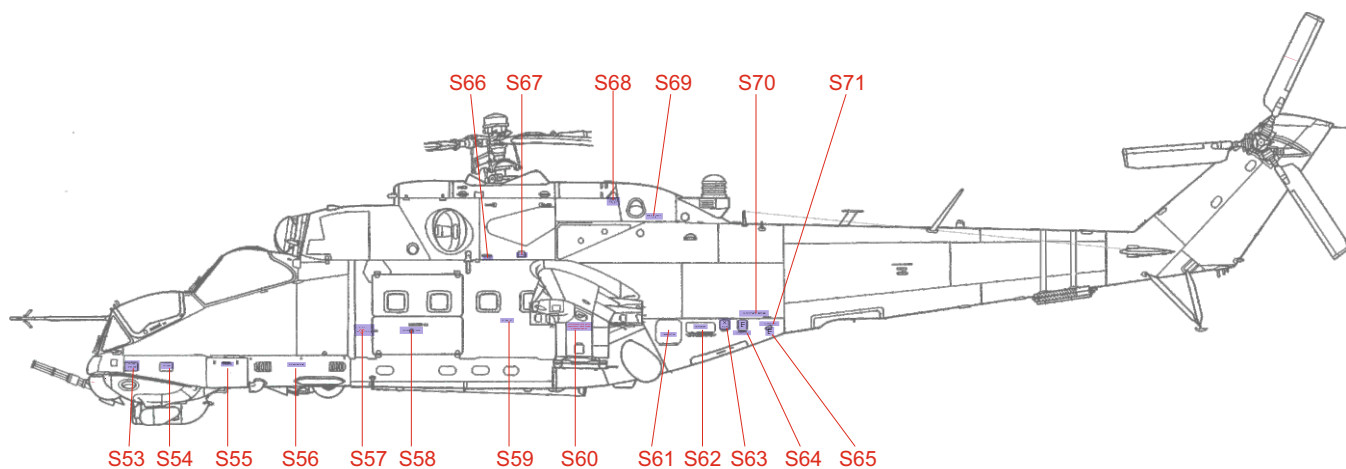
MARKINGS C, E



MARKING C



MARKING G



MARKING I

