



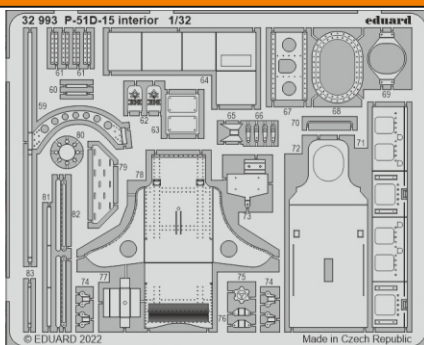
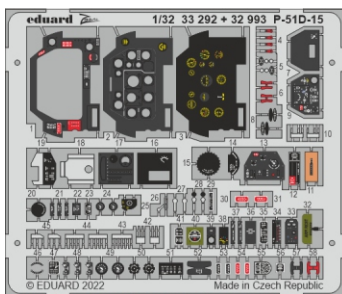
# P-51D-15 interior

eduard

**32 993**

**1/32**

detail set for 1/32 REVELL kit • sada detailů pro stavění 1/32 REVELL



- APPLY EXPRESS MASK AND PAINT BEFORE GLUING  
POUŽIT EXPRESS MASK NABARVIT PŘED SLEPENÍM
- SYMMETRICAL ASSEMBLY  
SYMETRICKÁ MONTÁŽ
- REMOVE  
ODSTRANIT
- GRIND  
OBROUSIT
- DRILL HOLE  
VRTAT OTVOR
- BEND  
OHNOUT
- OPTION  
VOLBA
- REPLACE  
NAHRADIT
- 1** COLORED ETCHED PARTS  
LEPTANÉ BAREVNÉ DÍLY
- 1** ETCHED PARTS  
LEPTANÉ NEBAREVNÉ DÍLY
- 1** ORIGINAL KIT PARTS  
PŮVODNÍ DÍLY STAVEBNICE

ORIGINAL KIT PARTS  
PŮVODNÍ DÍLY STAVEBNICE

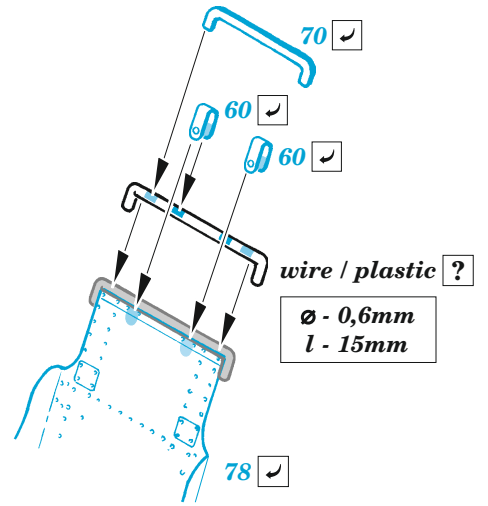
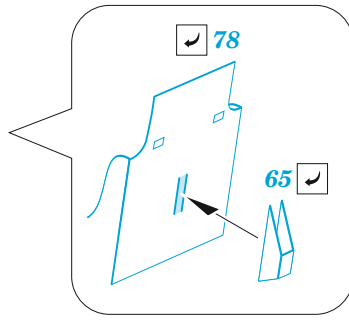
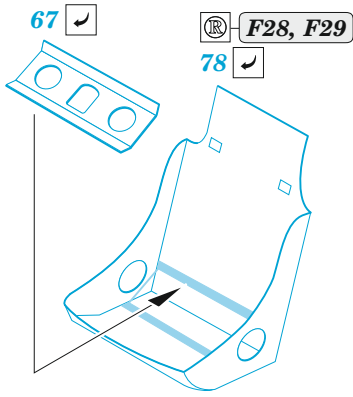
PHOTO-ETCHED PARTS  
LEPTANÉ DÍLY

PARTS TO BE REMOVED  
DÍLY K ODSTRANĚNÍ

FILL  
TMELIT

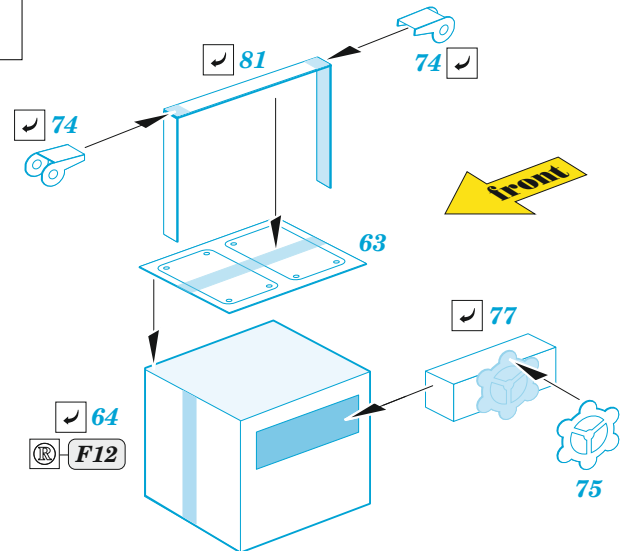
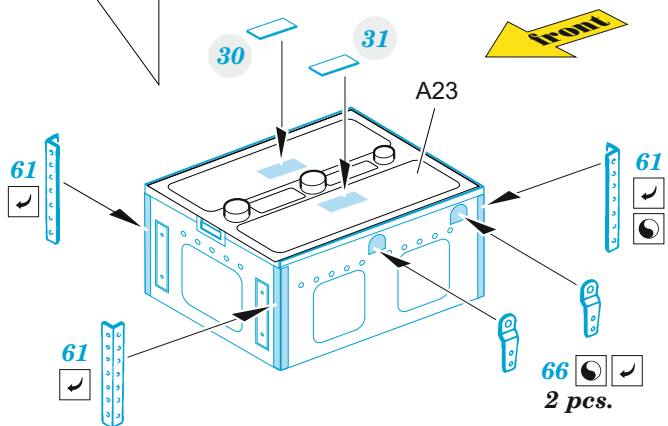
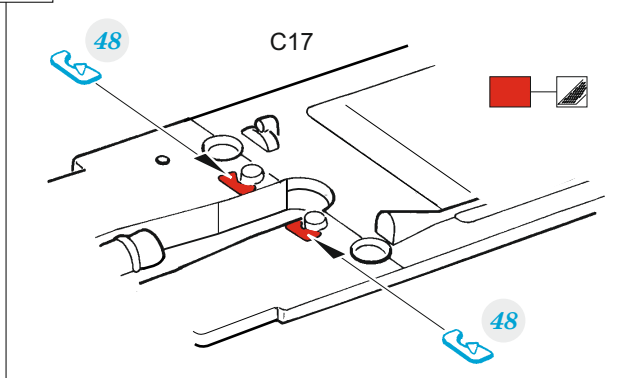
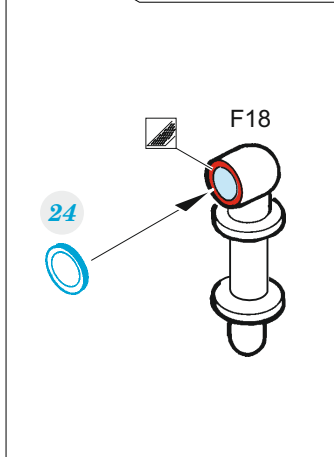
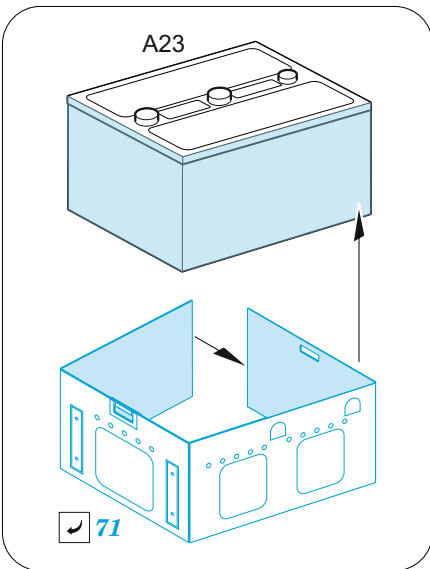
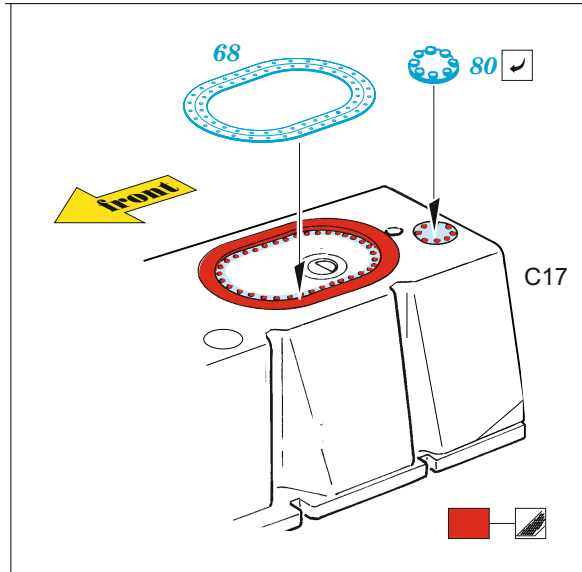
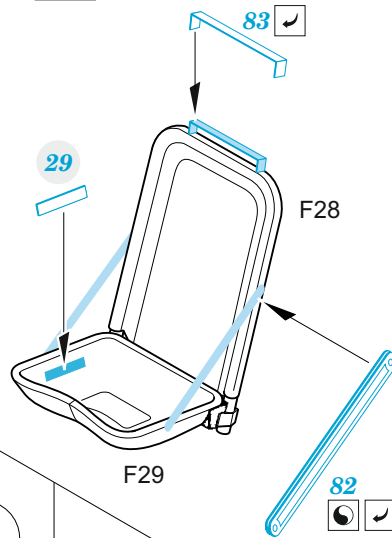
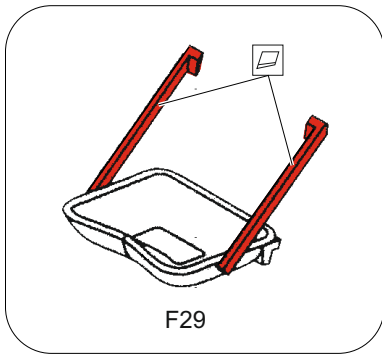
The main assembly diagram illustrates the step-by-step construction of the P-51D-15 interior. It features several sub-diagrams:

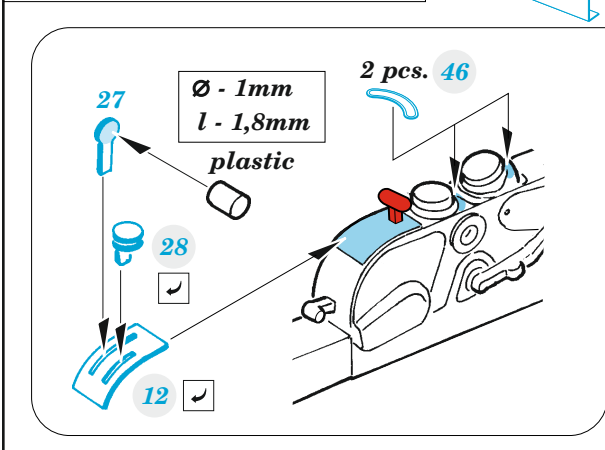
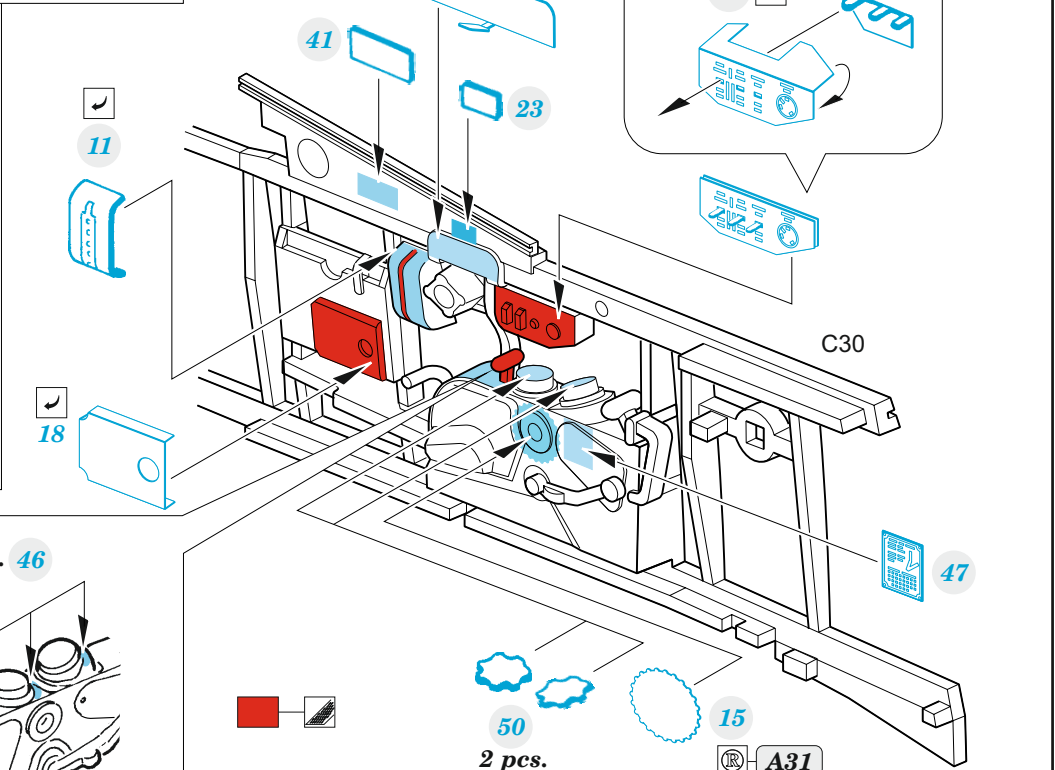
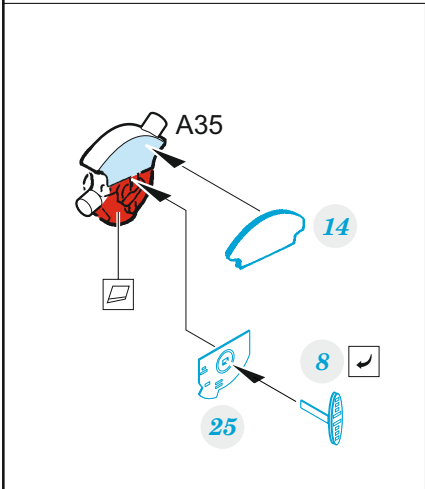
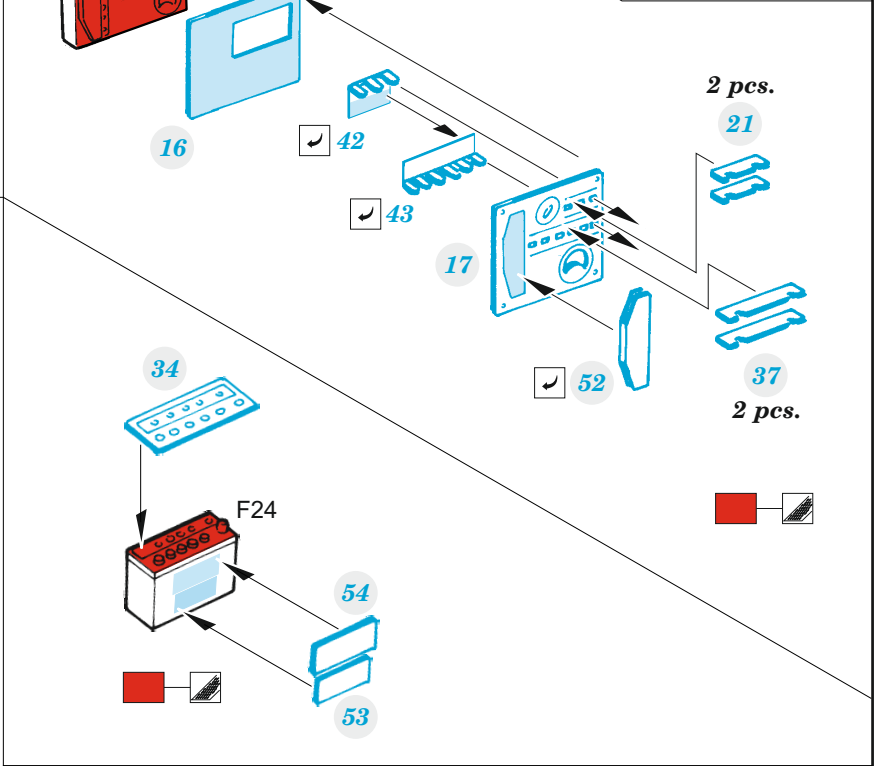
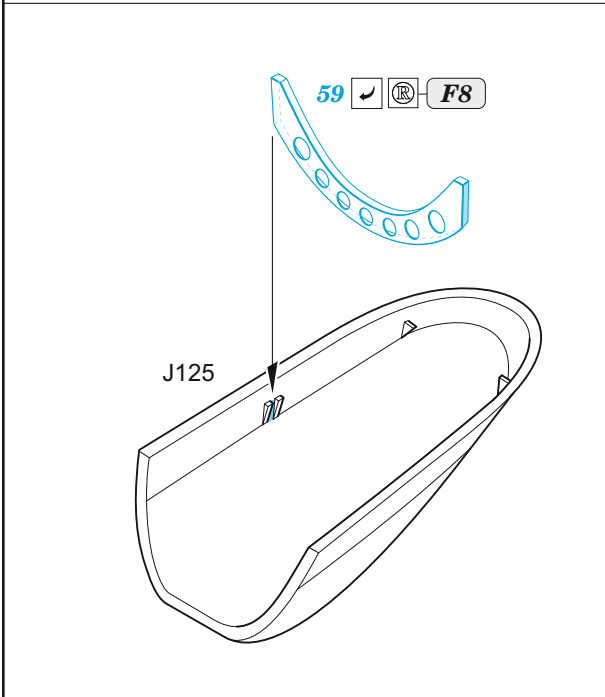
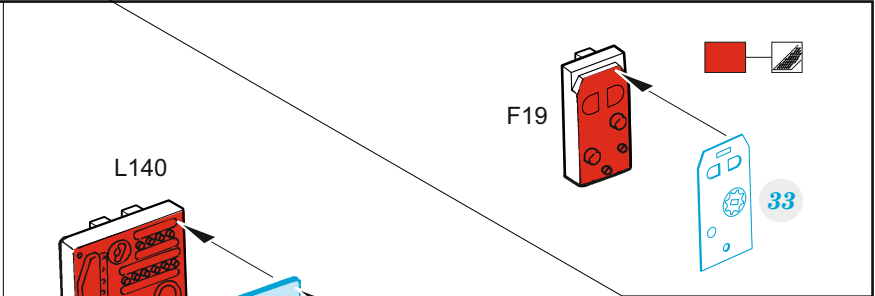
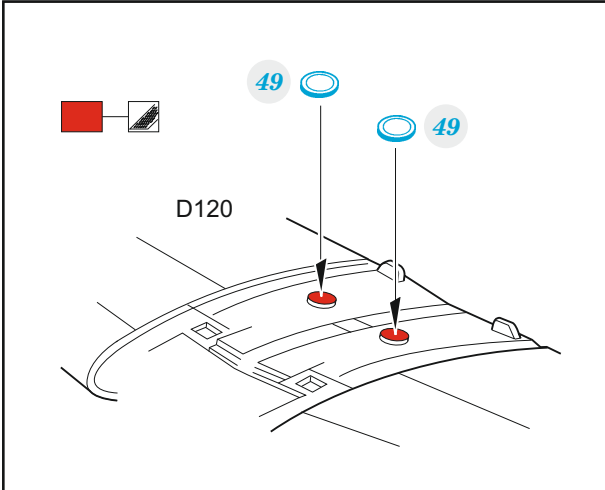
- Top Left:** Shows the installation of part F26 into the fuselage. Two photo-etched parts (62) are used to secure it.
- Top Right:** Shows the installation of the large red instrument panel L142. A photo-etched part (3) is used to align it.
- Middle Left:** Shows the installation of the lower instrument panel (1). Components 44, 51, 57, and 5 are attached to it.
- Middle Right:** A callout shows the modification of part B9, where a hole is drilled and a plug is inserted.
- Bottom Left:** Shows the installation of the red seat L147. Components 6, 26, 55, 58, 39, and 38 are used for assembly.
- Bottom Middle:** Shows the installation of the red seat L146. Components 7, 10, 9, 6, 26, 55, 58, 39, and 38 are used.
- Bottom Right:** Shows the installation of various parts (72, 73, 76, 79) into the fuselage structure. A callout specifies the use of 2 pcs. of plastic (Ø - 0,6mm, l - 19,6mm).

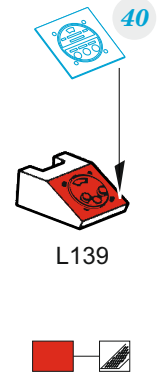
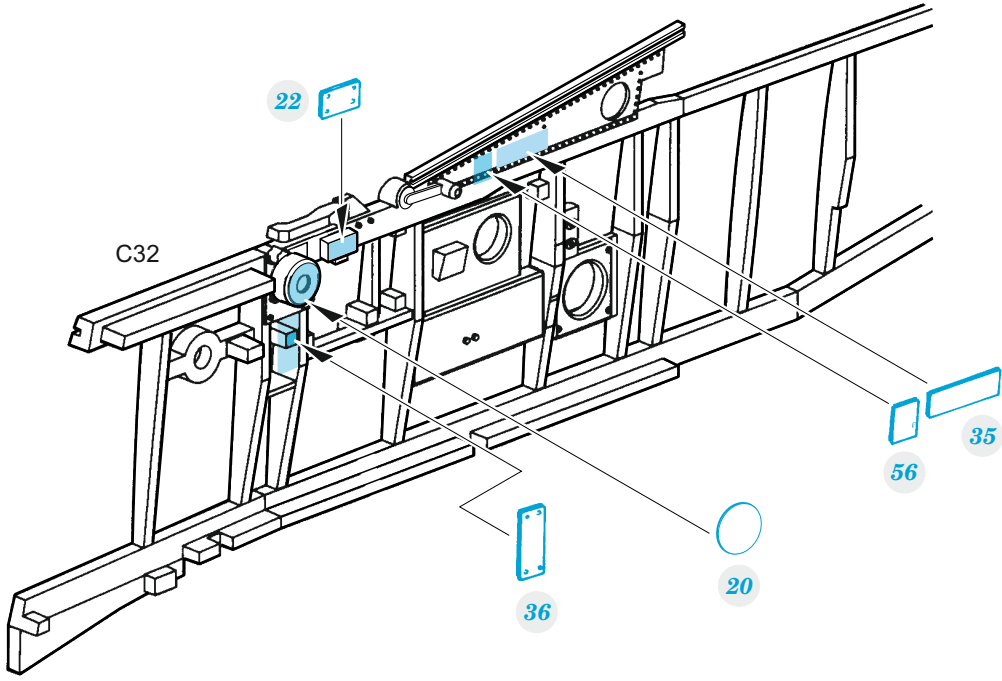


? see references

?







**Related products:**

**32 475 P-51D-15 exterior 1/32**

