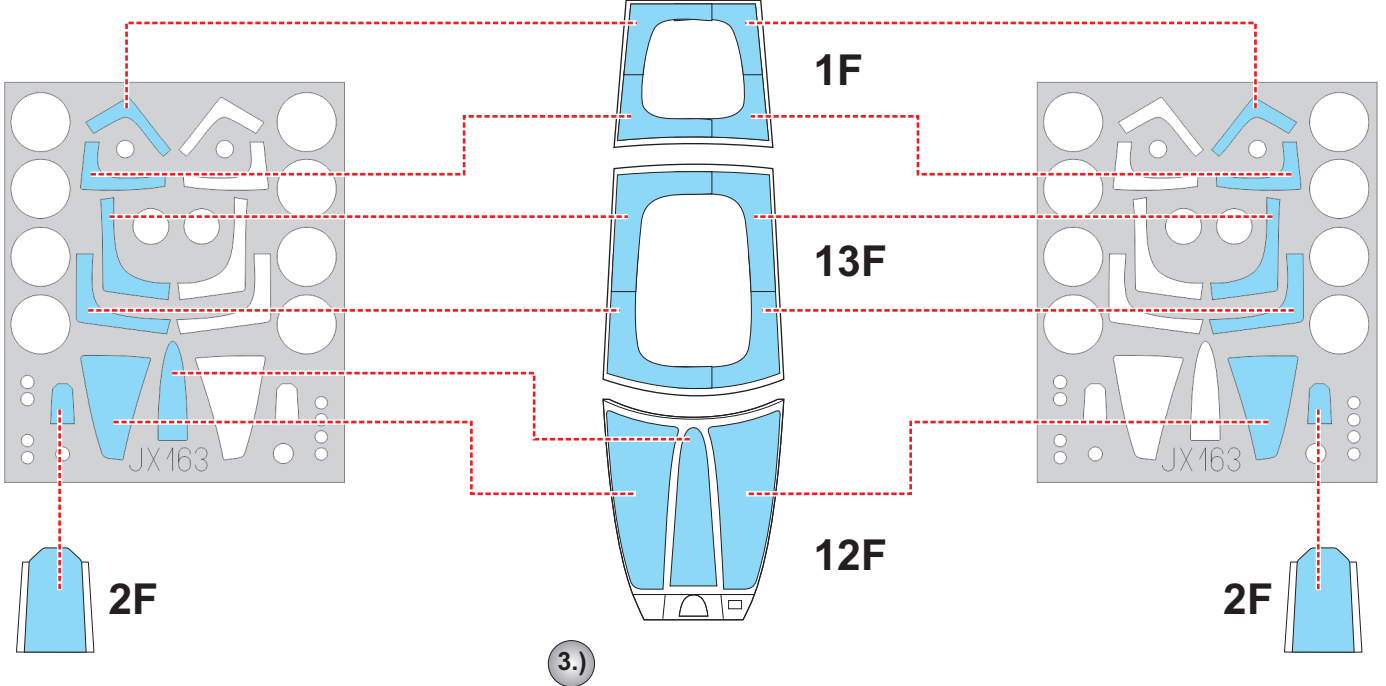
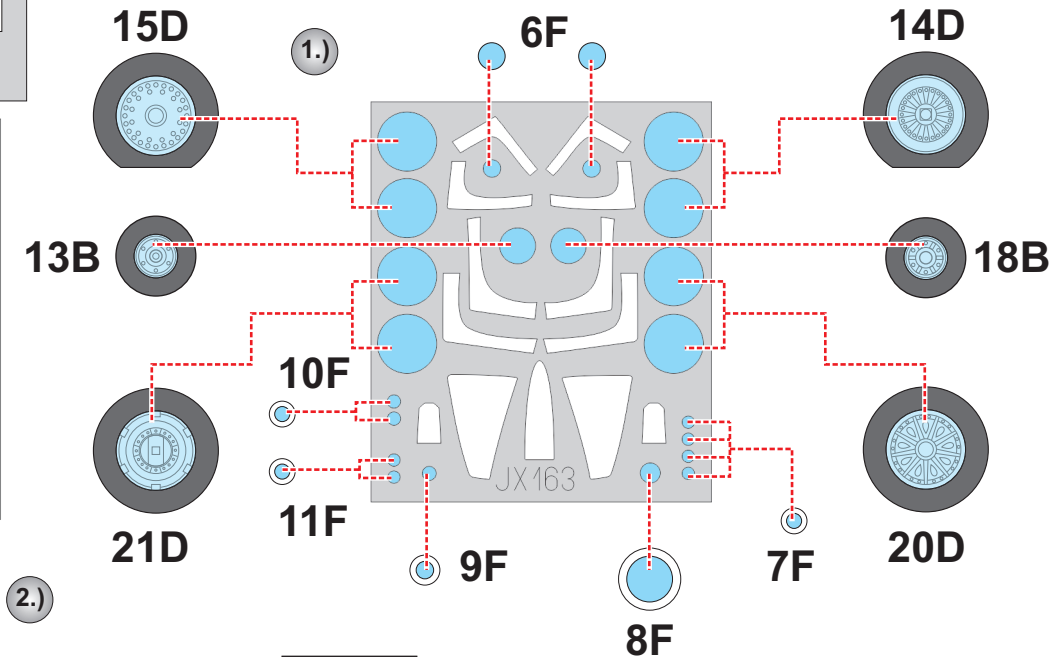
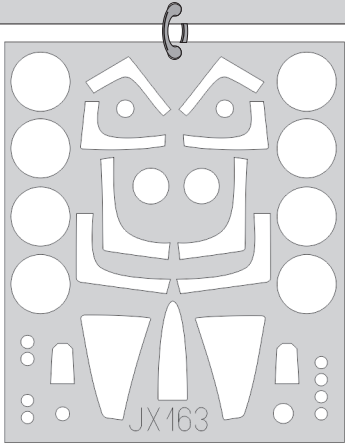


eduard
MASK

F-104G/S 1/32

The die-cut mask for accurate canopy frame painting of the
Italeri scale 1/32 KIT

JX 163



LIQUID MASK

