

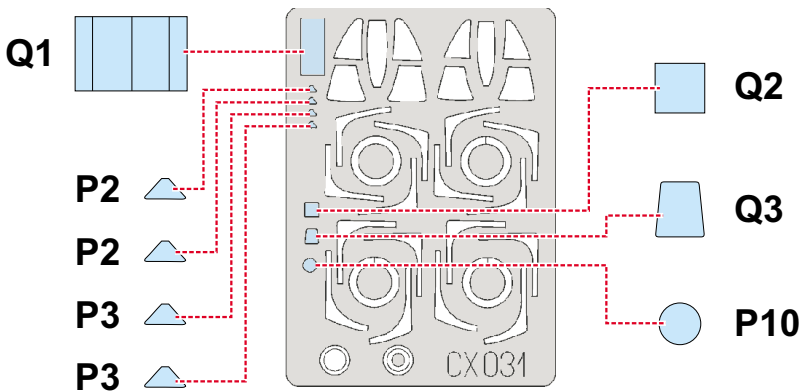
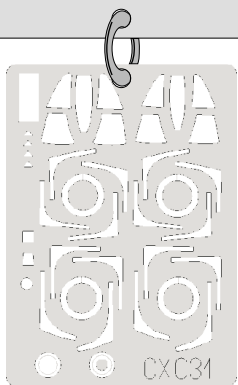
eduard
MASK

F-14 Tomcat 1/72

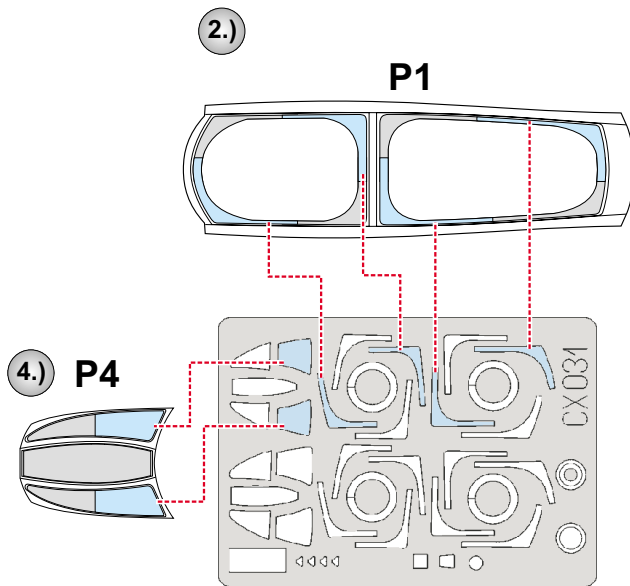
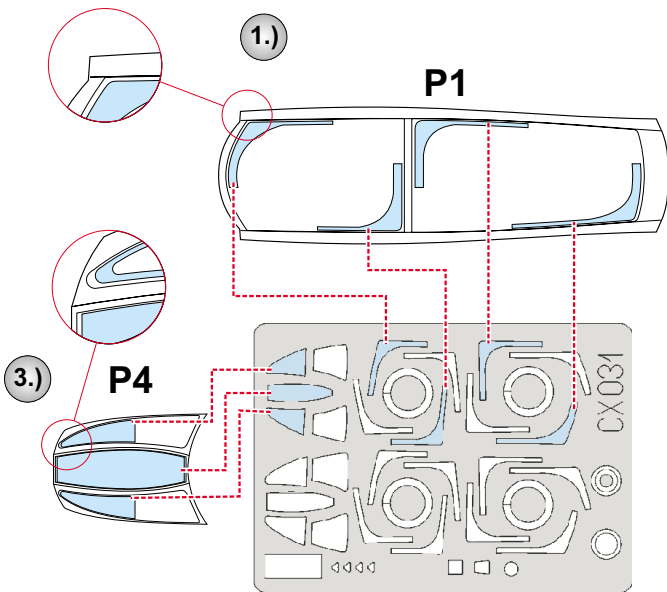
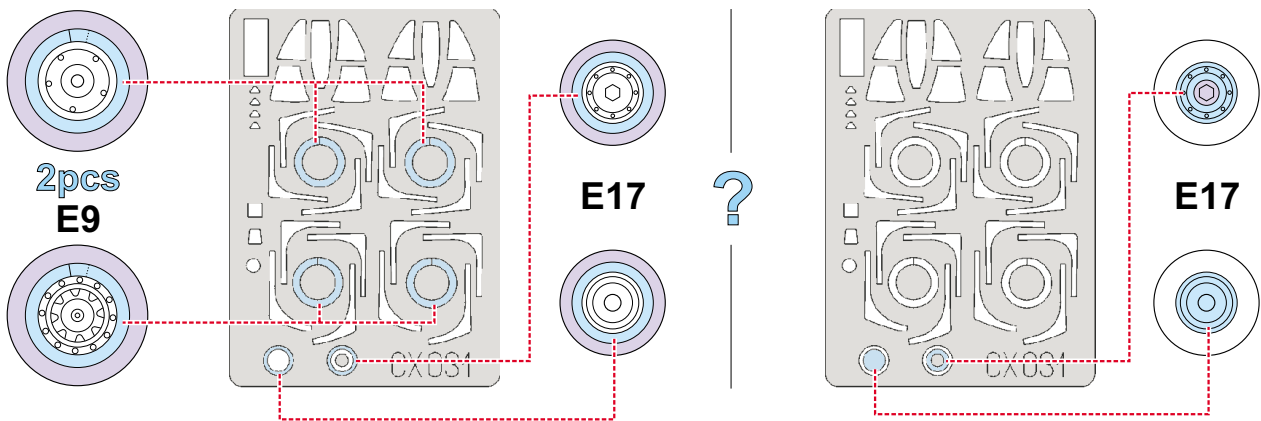
The die-cut mask for accurate canopy frame painting of the

Hasegawa 1/72 KIT

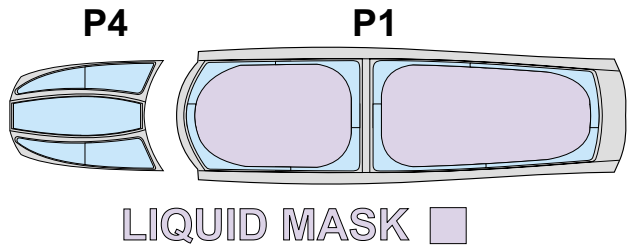
CX 031



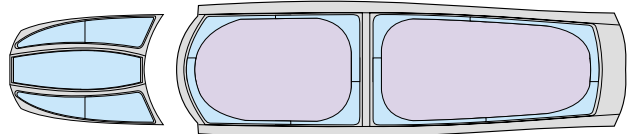
LIQUID MASK ■



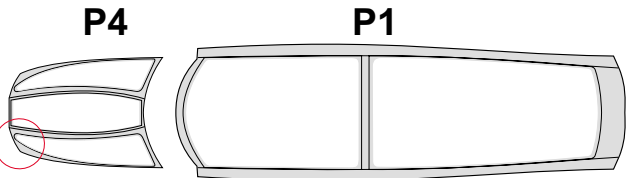
5.)  **INTERIOR COLOR**

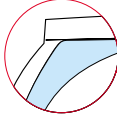


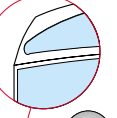
6.)  **RUBBER COLOR**

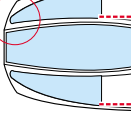


7.) **REMOVE MASK**

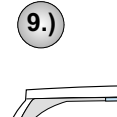


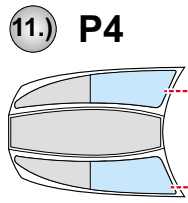
8.)  **P1**

9.)  **P1**

10.)  **P4**

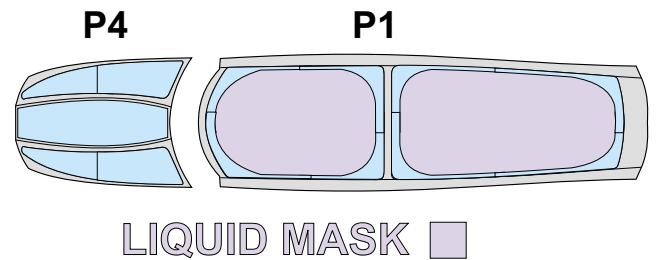
CX031

9.)  **P1**

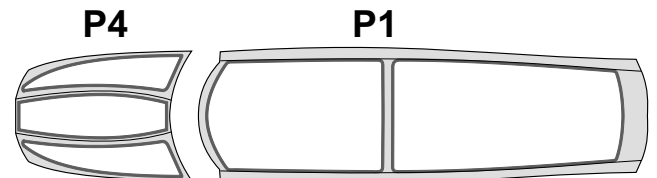
11.)  **P4**

CX031

12.)  **CAMOUFLAGE COLOR**



13.) **REMOVE MASK**



REFERENCES: Squadron/Signal Publ.:Walk Around # 3 - F-14 Tomcat
Squadron/Signal Publ.:In Action # 105 - F-14 Tomcat